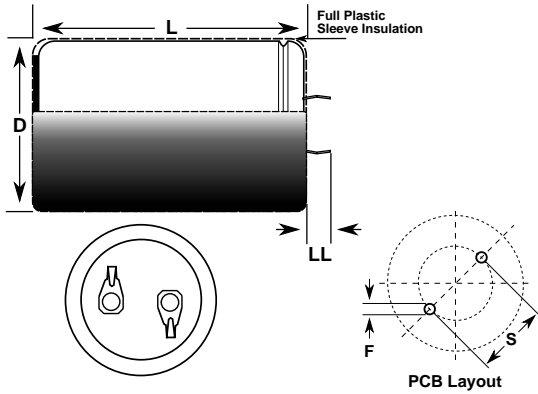


Aluminum Electrolytic, 105C, ELG, 220 uF, 20%, 400 V, -25/+105C



**Dimensions**

D	25mm +/-1mm
L	45mm +/-2mm
S	10mm +/-0.5mm
LL	5.8mm +/-1mm
F	2mm +/-0.1mm

**Packaging Specifications**

<b>Packaging:</b>	Bulk
-------------------	------

**General Information**

<b>Dielectric:</b>	Aluminum Electrolytic
<b>Series:</b>	ELG
<b>Description:</b>	Snap-In, Aluminum Electrolytic
<b>RoHS:</b>	Yes
<b>Lead:</b>	2 Pin

**Specifications**

<b>Capacitance:</b>	220 uF
<b>Capacitance Tolerance:</b>	20%
<b>Voltage DC:</b>	400 VDC, 450 VDC (Surge)
<b>Temperature Range:</b>	-25/+105C
<b>Rated Temperature:</b>	105C
<b>Life:</b>	2000 Hrs
<b>Dissipation Factor:</b>	15% 120Hz 20C
<b>Resistance:</b>	265 mOhms (20kHz)
<b>Current:</b>	1050 mAmps (120Hz)
<b>Leakage:</b>	1800 uAmps (5min 20C)