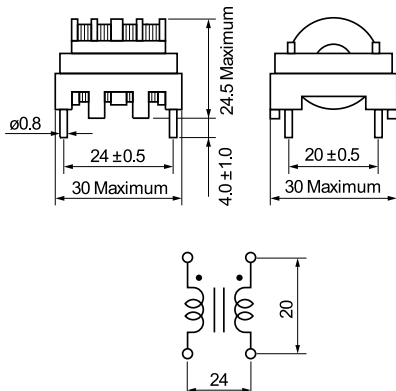


KEMET Part Number: SS28H-R20130-CH
(UAL28HR20130CH)

Commercial Grade, SS28V/H-CH, 0.013 H



Dimensions	
L	30mm MAX
T	30mm MAX
H	24.5mm MAX
S	20mm +/-0.5mm
S1	24mm +/-0.5mm
LL	4mm +/-1mm
F	0.8mm NOM

Packaging Specifications	
Weight:	30.3 g

General Information	
Style:	Through-Hole Choke
Series:	SS28V/H-CH
Description:	Common Mode Filter
RoHS:	Yes
Miscellaneous:	Inductance Measurement Condition: 1kHz 1V KC530

Specifications	
Inductance:	13000 uH
Rated Temperature:	120C
Current:	2 mAmps (Irms, 45C Rise By Self Heating)
Voltage AC:	250 VAC
DC Resistance:	220 mOhms
Insulation Resistance:	100 MOhms