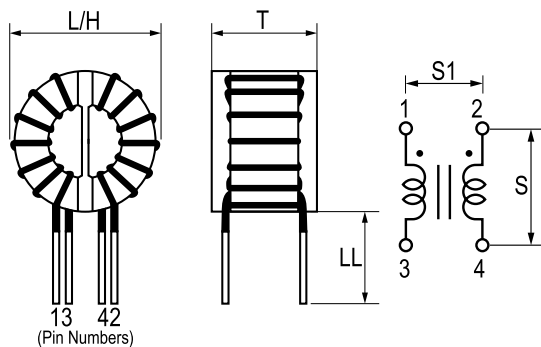


**KEMET Part Number: SC-02-800**  
(UALSC028000000)

Choke, SC, 8000 uH



Dimensions	
L	34mm MAX
T	23mm MAX
H	34mm MAX
S	20mm MAX
S1	7mm NOM
LL	15mm +/-2mm
Wire Size	0.6mm

Packaging Specifications	
Weight:	25 g

General Information	
Style:	Through-Hole Toroid
Series:	SC
Description:	Standard Common Mode Filter
RoHS:	Yes
Miscellaneous:	Inductance Measurement Condition: 100kHz 1mA KC547
Notes:	Lead Spacing (S/S1) Are For Reference Only.

Specifications	
Inductance:	8000 uH
Rated Temperature:	105C
Current:	2 mAmps (Irms, 40C Rise By Self Heating)
Voltage AC:	250 VAC
DC Resistance:	150 mOhms
Insulation Resistance:	100 MOhms