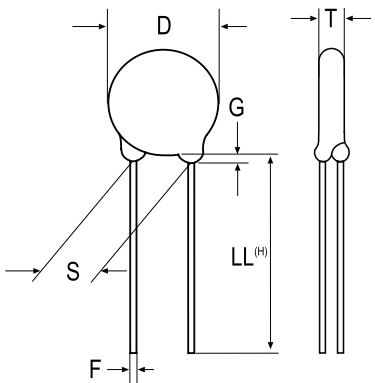


Ceramic, Safety, C900\_V, 75 pF, 5%, SL, Lead Spacing = 10mm



**Dimensions**

<b>D</b>	9mm MAX
<b>T</b>	5mm MAX
<b>S</b>	10mm +/-1mm
<b>LL</b>	4.5mm +/-1mm
<b>F</b>	0.55mm +/-0.1mm
<b>G</b>	3mm MAX

**Packaging Specifications**

<b>Packaging:</b>	Bulk
<b>Packaging Quantity:</b>	500

**General Information**

<b>Style:</b>	Radial Disc
<b>Series:</b>	C900_V
<b>RoHS:</b>	Yes
<b>Termination:</b>	Tin
<b>Failure Rate:</b>	N/A
<b>Halogen Free:</b>	Yes

**Specifications**

<b>Capacitance:</b>	75 pF
<b>Capacitance Tolerance:</b>	5%
<b>Temperature Range:</b>	-25/+125C
<b>Temperature Coefficient:</b>	SL
<b>Insulation Resistance:</b>	10 GOhms
<b>Dielectric Strength:</b>	4,000 V
<b>Quality Factor:</b>	1000