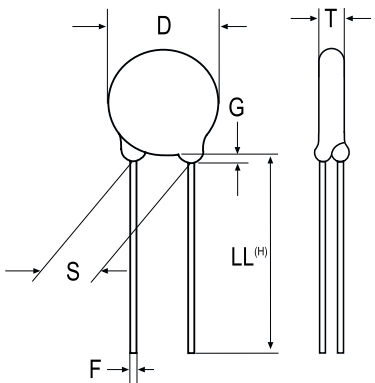


Ceramic, Safety, C900_V, 3300 pF, 20%, Y5V, Lead Spacing = 10mm



Dimensions

D	11mm MAX
T	5.5mm MAX
S	10mm +/-1mm
LL	4.5mm +/-1mm
F	0.55mm +/-0.1mm
G	3mm MAX

Packaging Specifications

Packaging:	Bulk
Packaging Quantity:	500

General Information

Style:	Radial Disc
Series:	C900_V
RoHS:	Yes
Termination:	Tin
Failure Rate:	N/A
Halogen Free:	Yes

Specifications

Capacitance:	3300 pF
Capacitance Tolerance:	20%
Temperature Range:	-25/+125C
Temperature Coefficient:	Y5V
Dissipation Factor:	5%
Insulation Resistance:	10 GOhms
Dielectric Strength:	4,000 V