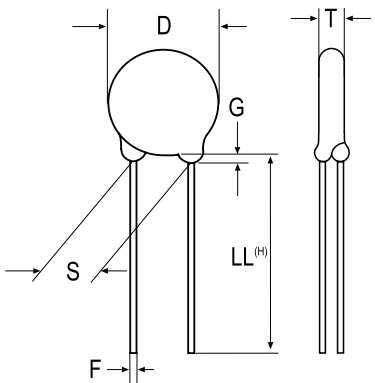


Ceramic, Safety, C900\_Y, 0.01 uF, 20%, Y5V, Lead Spacing = 10mm



**Dimensions**

|           |                 |
|-----------|-----------------|
| <b>D</b>  | 15mm MAX        |
| <b>T</b>  | 5mm MAX         |
| <b>S</b>  | 10mm +/-1mm     |
| <b>LL</b> | 4.5mm +/-1mm    |
| <b>F</b>  | 0.55mm +/-0.1mm |
| <b>G</b>  | 3mm MAX         |

**Packaging Specifications**

|                            |      |
|----------------------------|------|
| <b>Packaging:</b>          | Bulk |
| <b>Packaging Quantity:</b> | 500  |

**General Information**

|                      |             |
|----------------------|-------------|
| <b>Style:</b>        | Radial Disc |
| <b>Series:</b>       | C900_Y      |
| <b>RoHS:</b>         | Yes         |
| <b>Termination:</b>  | Tin         |
| <b>Failure Rate:</b> | N/A         |
| <b>Halogen Free:</b> | Yes         |

**Specifications**

|                                 |           |
|---------------------------------|-----------|
| <b>Capacitance:</b>             | 0.01 uF   |
| <b>Capacitance Tolerance:</b>   | 20%       |
| <b>Temperature Range:</b>       | -40/+125C |
| <b>Temperature Coefficient:</b> | Y5V       |
| <b>Dissipation Factor:</b>      | 5%        |
| <b>Insulation Resistance:</b>   | 10 GOhms  |
| <b>Dielectric Strength:</b>     | 2,600 V   |