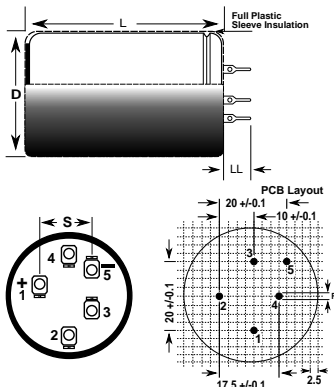


Aluminum Electrolytic, 85C, ALP22, 470 uF, 20%, 385 V, -40/+85C



| General Information | |
|---------------------|------------------------------------|
| Dielectric: | Aluminum Electrolytic |
| Series: | ALP22 |
| Description: | Solder Pin, Aluminum Electrolytic |
| Features: | Solder Pin |
| RoHS: | Yes |
| Lead: | 5 Pin Solder |
| Notes: | Dimensions D And L Include Slewing |

| Dimensions | |
|------------|----------------|
| D | 40mm +/-1mm |
| L | 55mm +/-2mm |
| S | 20mm +/-0.1mm |
| LL | 7.5mm +/-0.5mm |
| F | 1.3mm |

| Specifications | |
|-------------------------------|----------------------------|
| Capacitance: | 470 uF |
| Capacitance Tolerance: | 20% |
| Voltage DC: | 385 VDC, 423.5 VDC (Surge) |
| Temperature Range: | -40/+85C |
| Rated Temperature: | 85C |
| Life: | 26000 Hrs |
| Leakage: | 1086 uAmps (5min 20C) |

| Packaging Specifications | |
|--------------------------|------|
| Weight: | 95 g |
| Slewing: | Yes |
| Packaging: | Bulk |

Statements of suitability for certain applications are based on our knowledge of typical operating conditions for such applications, but are not intended to constitute - and we specifically disclaim - any warranty concerning suitability for a specific customer application or use. This Information is intended for use only by customers who have the requisite experience and capability to determine the correct products for their application. Any technical advice inferred from this Information or otherwise provided by us with reference to the use of our products is given gratis, and we assume no obligation or liability for the advice given or results obtained.