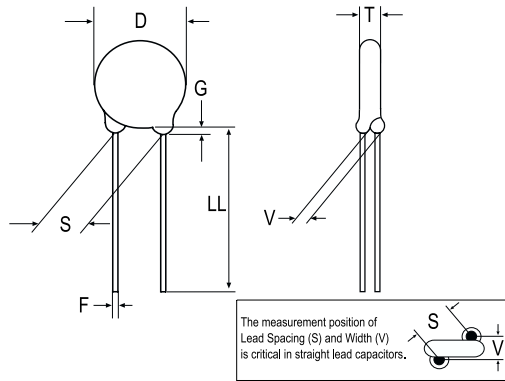


Ceramic, Safety, ERP610, 470 pF, 20%, Y5U, Lead Spacing = 10mm



General Information	
Style:	Radial Disc
Series:	ERP610
Description:	Ceramic Single Layer Safety Disc Capacitors
RoHS:	Yes
Termination:	Tin
Approvals:	UL, CSA, ENEC
Notes:	Please See Bulletin For Taping Information. H Dimension Refers to Seating Plane To Center Hole of Tape

Dimensions	
D	8mm MAX
H	18mm +2mm
T	5mm MAX
S	10mm +/-0.8mm
F	0.6mm +/-0.05mm
G	3mm MAX

Specifications	
Capacitance:	470 pF
Capacitance Tolerance:	20%
Temperature Range:	-40/+125C
Temperature Coefficient:	Y5U
Dissipation Factor:	2.5%
Insulation Resistance:	10 GOhms
Voltage:	760 VAC (X1), 500 VAC (Y1)

Packaging Specifications	
Packaging:	T&R, H = 18mm, Component Pitch = 25.4mm