

# M300 Connectors

M300

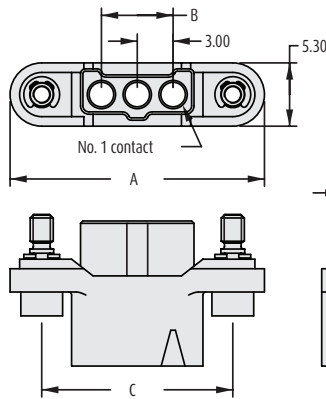
## Female Cable Connector Housings

- 3 polarising points on each housing to prevent mis-mating.
- Features potting wall for extra security.
- No. 1 position identified on moulding.
- Scoop-proof contacts.
- 10A current capacity, resists high vibration and shock.
- Withstands extremes of temperature: -65°C to +175°C.



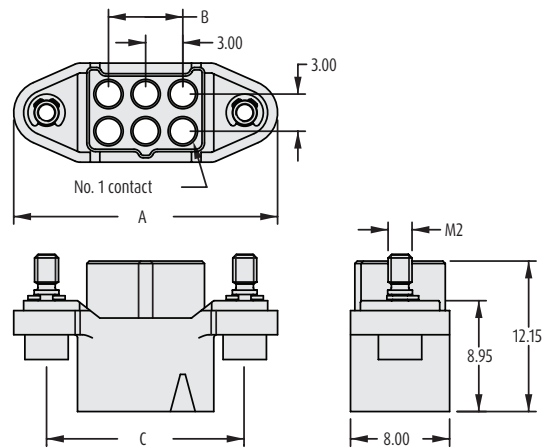
### SINGLE ROW

### DOUBLE ROW



#### CALCULATION

<b>A</b>	$B + 15.3$
<b>B</b>	$3 \times (\text{No. of contacts per row} - 1)$
<b>C</b>	$B + 10$



### TOOLS

**Recommended Crimp Tool** - M22520/2-01  
**Positioner** - Z80-058

**Contact Insertion/Removal Tool** - Z300-902  
 See page 12j

➤ Instruction sheets available at [www.harwin.com/instructions](http://www.harwin.com/instructions)

### HOW TO ORDER

**M300 - 22X XX 96 F2**

#### SERIES CODE

#### TYPE

<b>224</b>	Double Row
<b>225</b>	Single Row

#### TOTAL NO. OF CONTACTS

<b>03</b>	Single Row
<b>06, 10</b>	Double Row

#### FIXING

<b>F2</b>	Hex Socket Jackscrew
-----------	----------------------

#### FINISH

<b>96</b>	Housing
-----------	---------

All dimensions in mm.