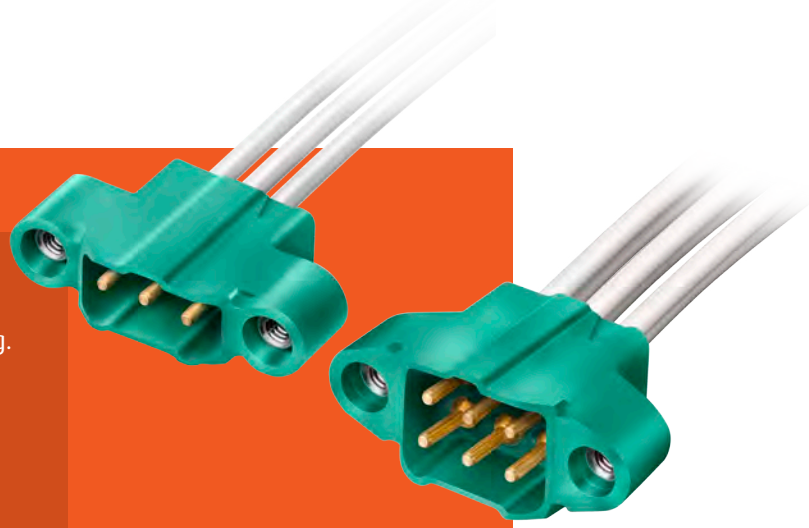


M300 Connectors

Male Cable Connector Housings

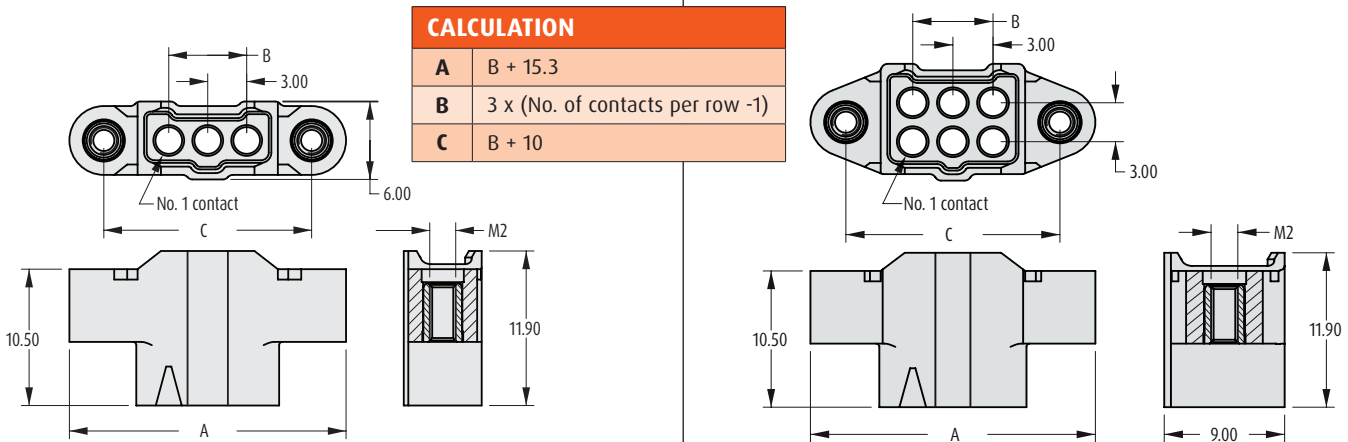
- Features potting wall for extra security.
- No. 1 position identified on moulding.
- 3 polarising points on each housing to prevent mis-mating.
- 10A current capacity, resists high vibration and shock.
- Withstands extremes of temperature: -65°C to +175°C.



M300

SINGLE ROW

DOUBLE ROW



TOOLS

Recommended Crimp Tool - M22520/2-01
Positioner - Z80-058

Contact Insertion/Removal Tool - Z300-902
 See page 12j
 Instruction sheets available at www.harwin.com/instructions

HOW TO ORDER

M300 - 32X XX 96 M1

SERIES CODE

TYPE

324	Double Row
325	Single Row

TOTAL NO. OF CONTACTS

03	Single Row
06, 10	Double Row

FIXING

M1 Jackscrew (Housing)

FINISH

96 Housing

All dimensions in mm.