

# M300 Connectors

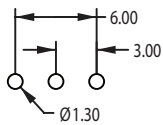
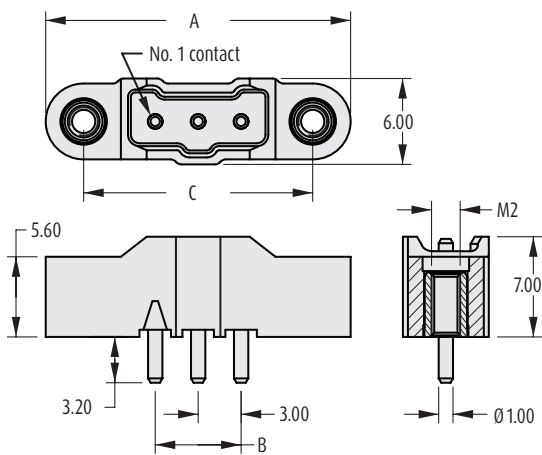
M300

## Male PC Tail

- 10A current capacity, resists high vibration and shock.
- Withstands extremes of temperature: -65°C to +175°C.

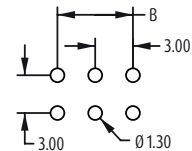
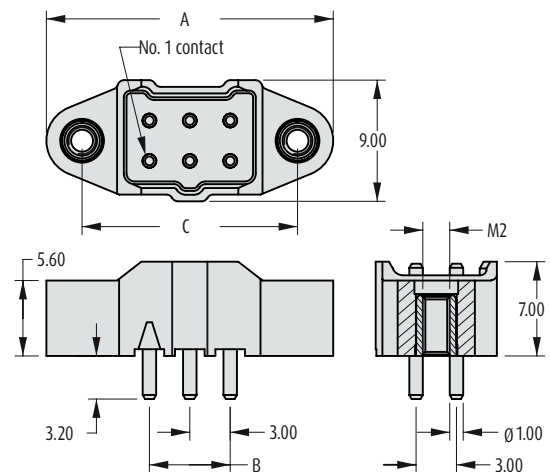


### SINGLE ROW



Recommended PC Board Pattern

### DOUBLE ROW



Recommended PC Board Pattern

#### CALCULATION

<b>A</b>	$B + 15.3$
<b>B</b>	$3 \times (\text{No. of contacts per row} - 1)$
<b>C</b>	$B + 10$

### HOW TO ORDER

**M300 - M VX XX 45 M1**

#### SERIES CODE

#### GENDER

**M** Male

#### TYPE

**V1** Single Row  
**V3** Double Row

#### TYPE

**M1** Jackscrew

#### FINISH

**45** Gold

#### TOTAL NO. OF CONTACTS

**03** Single Row  
**06, 10** Double Row

All dimensions in mm.