

**PLEASE CHECK WWW.MOLEX.COM FOR LATEST PART INFORMATION**

**Part Number:** [5023801200](#)  
**Status:** **Active**  
**Overview:** [CLIK-Mate™ Wire-to-Board Connectors](#)  
**Description:** 1.25mm Pitch CLIK-Mate™ Wire-to-Board Housing, Single Row, 12 Circuits

**Documents:**

[3D Model](#) [RoHS Certificate of Compliance \(PDF\)](#)  
[Drawing \(PDF\)](#)

**General**

Product Family	Crimp Housings
Series	<a href="#">502380</a>
Application	Signal, Wire-to-Board
Overview	<a href="#">CLIK-Mate™ Wire-to-Board Connectors</a>
Product Name	CLIK-Mate™
UPC	822350895149

**Physical**

Breakaway	No
Circuits (maximum)	12
Color - Resin	White
Gender	Plug
Glow-Wire Compliant	No
Keying to Mating Part	Yes
Lock to Mating Part	Yes
Material - Resin	Polyester
Net Weight	297.000/mg
Number of Rows	1
Packaging Type	Bag
Panel Mount	No
Pitch - Mating Interface	1.25mm
Polarized to Mating Part	Yes
Stackable	No
Temperature Range - Operating	-40°C to +105°C

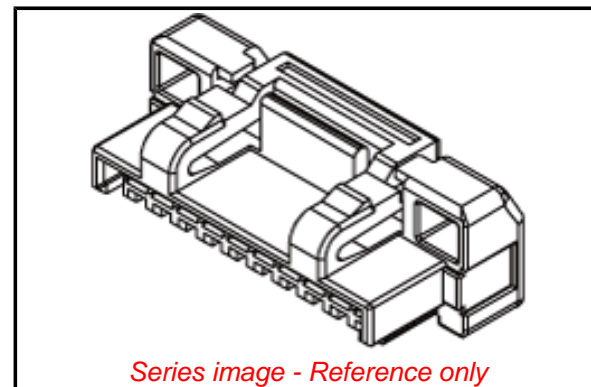
**Electrical**

Current - Maximum per Contact	1.0A
-------------------------------	------

**Material Info**

**Reference - Drawing Numbers**

Sales Drawing	SD-502380-001, SD-502380-002
---------------	------------------------------



**EU ELV**

**Not Relevant**

**EU RoHS**

**Compliant**

**REACH SVHC**

Not Contained Per -  
ED/21/2016 (20 June  
2016)

**Halogen-Free**

**Status**

**Not Low-Halogen**

**Need more information on product  
environmental compliance?**

Email [productcompliance@molex.com](mailto:productcompliance@molex.com)  
Please visit the [Contact Us](#) section for any  
non-product compliance questions.

China ROHS

ELV

Green Image

Not Relevant

**Search Parts in this Series**

[502380](#) Series

**Mates With**

[502382](#) PCB Receptacle, [502386](#) PCB  
Receptacle

**Use With**

[502381](#) Crimp Terminal