

PLEASE CHECK WWW.MOLEX.COM FOR LATEST PART INFORMATION

Part Number: [5031102000](#)
Status: **Active**
Overview: Duo-Clasp™ Wire-to-Board System
Description: 1.25mm Pitch Duo-Clasp™ Wire-to-Board Housing, Dual Row, Positive Lock, 20 Circuits

Documents:

[3D Model](#) [Application Specification AS-503110-002 \(PDF\)](#)
[Drawing \(PDF\)](#) [RoHS Certificate of Compliance \(PDF\)](#)
[Application Specification AS-503110-001 \(PDF\)](#)

Agency Certification

UL E29179

General

Product Family Crimp Housings
 Series [503110](#)
 Application Signal, Wire-to-Board
 Overview [Duo-Clasp™ Wire-to-Board System](#)
 Product Name Duo-Clasp™
 UPC 800756934112

Physical

Breakaway No
 Circuits (maximum) 20
 Color - Resin White
 Gender Plug
 Glow-Wire Compliant No
 Keying to Mating Part Yes
 Lock to Mating Part Yes
 Net Weight 315.000/mg
 Number of Rows 2
 Packaging Type Bag
 Panel Mount No
 Pitch - Mating Interface 1.25mm
 Pitch - Termination Interface 1.25mm
 Polarized to Mating Part Yes
 Ports 1
 Stackable No
 Temperature Range - Operating -25°C to +85°C

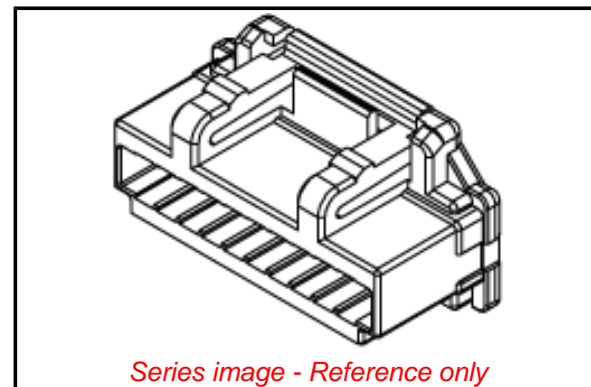
Electrical

Current - Maximum per Contact 1.0A

Material Info

Reference - Drawing Numbers

Application Specification AS-503110-001, AS-503110-002
 Sales Drawing SD-503110-001



Series image - Reference only

EU ELV

Not Relevant

EU RoHS

Compliant

REACH SVHC

Not Contained Per -
 ED/21/2016 (20 June
 2016)

Halogen-Free

Status

Not Low-Halogen

**Need more information on product
 environmental compliance?**

Email productcompliance@molex.com
 Please visit the [Contact Us](#) section for any
 non-product compliance questions.

China ROHS

ELV

Green Image

Not Relevant

Search Parts in this Series

[503110](#) Series

Mates With

[501931](#) PCB Receptacle . [502046](#) PCB
 Receptacle

Use With

[501930](#) Crimp Terminal