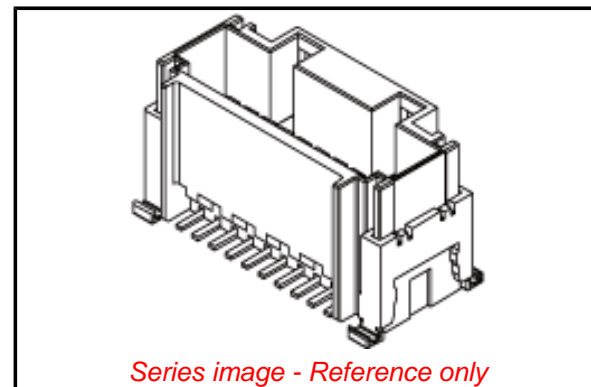


PLEASE CHECK WWW.MOLEX.COM FOR LATEST PART INFORMATION

Part Number: [5019313070](#)
Status: **Active**
Overview: Duo-Clasp™ Wire-to-Board System
Description: 1.25mm Pitch Duo-Clasp™ Wire-to-Board PCB Receptacle, Dual Row, Vertical, 30 Circuits

Documents:

| | |
|---|---|
| 3D Model | Application Specification AS-503110-002 (PDF) |
| Drawing (PDF) | Packaging Specification SPK-501931-001 (PDF) |
| Product Specification PS-501931-002 (PDF) | RoHS Certificate of Compliance (PDF) |
| Application Specification AS-503110-001 (PDF) | |



Agency Certification

UL E29179

General

| | |
|----------------|---|
| Product Family | PCB Receptacles |
| Series | 501931 |
| Application | Signal, Wire-to-Board |
| Overview | Duo-Clasp™ Wire-to-Board System |
| Product Name | Duo-Clasp™ |
| UPC | 822350236072 |

Physical

| | |
|--------------------------------|-----------------------|
| Circuits (Loaded) | 30 |
| Circuits (maximum) | 30 |
| Color - Resin | Natural |
| Durability (mating cycles max) | 30 |
| Glow-Wire Compliant | No |
| Guide to Mating Part | Yes |
| Keying to Mating Part | Yes |
| Lock to Mating Part | Yes |
| Mated Height | 10.95mm |
| Material - Metal | Copper Alloy |
| Material - Plating Mating | Gold |
| Material - Plating Termination | Tin |
| Net Weight | 1355.650/mg |
| Number of Rows | 2 |
| Orientation | Vertical |
| PCB Locator | No |
| PCB Retention | Yes |
| Packaging Type | Embossed Tape on Reel |
| Pitch - Mating Interface | 1.25mm |
| Polarized to Mating Part | Yes |
| Polarized to PCB | No |
| Stackable | No |
| Temperature Range - Operating | -25°C to +85°C |
| Termination Interface: Style | Surface Mount |

Electrical

| | |
|-------------------------------|-----------------|
| Current - Maximum per Contact | 1.0A |
| Voltage - Maximum | 50V AC (RMS)/DC |

Material Info

Reference - Drawing Numbers

| | |
|---------------------------|------------------------------|
| Application Specification | AS-503110-001, AS-503110-002 |
| Packaging Specification | SPK-501931-001 |

EU ELV

Not Relevant

EU RoHS

Compliant

REACH SVHC

Not Contained Per -
ED/21/2016 (20 June
2016)

Halogen-Free

Status

Not Low-Halogen

**Need more information on product
environmental compliance?**

Email productcompliance@molex.com
Please visit the [Contact Us](#) section for any
non-product compliance questions.

China ROHS

ELV

Green Image

Not Relevant

Search Parts in this Series

[501931](#) Series

Mates With

[503110](#) Crimp Housing . [501930](#) Crimp
Terminal

Product Specification

Sales Drawing

PS-501931-002, RPS-501931-002, RPS-501931-003,
RPS-501931-004, RPS-501931-007
SD-501931-001, SD-501931-002

This document was generated on 08/17/2016

PLEASE CHECK WWW.MOLEX.COM FOR LATEST PART INFORMATION