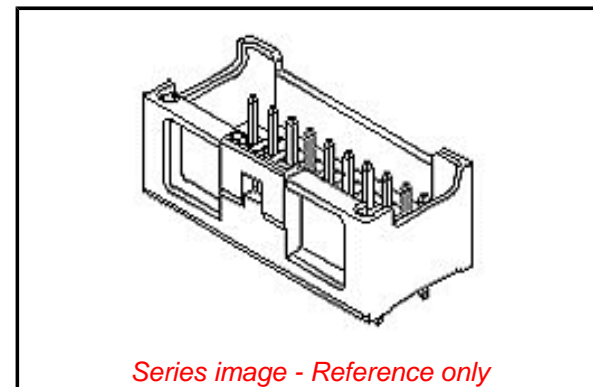


PLEASE CHECK WWW.MOLEX.COM FOR LATEST PART INFORMATION

Part Number: [0559171630](#)
Status: **Active**
Overview: MicroClasp™ Wire-to-Board System
Description: 2.00mm Pitch MicroClasp™ Wire-to-Board Header, Dual Row, Vertical, 16 Circuits, without PCB Locator

Documents:

3D Model	Product Specification PS-51353-010 (PDF)
Drawing (PDF)	RoHS Certificate of Compliance (PDF)
Product Specification PS-51353-003 (PDF)	



Agency Certification

UL E29179

General

Product Family	PCB Headers
Series	55917
Application	Signal, Wire-to-Board
Overview	MicroClasp™ Wire-to-Board System
Product Name	MicroClasp™
UPC	756054338940

Physical

Breakaway	No
Circuits (Loaded)	16
Circuits (maximum)	16
Color - Resin	Natural
Durability (mating cycles max)	30
First Mate / Last Break	No
Flammability	94V-0
Glow-Wire Compliant	No
Guide to Mating Part	No
Keying to Mating Part	None
Lock to Mating Part	Yes
Material - Plating Mating	Tin
Material - Plating Termination	Tin
Material - Resin	Polyester
Net Weight	1279.700/mg
Number of Rows	2
Orientation	Vertical
PC Tail Length	3.20mm
PCB Locator	No
PCB Retention	Yes
PCB Thickness - Recommended	1.60mm
Packaging Type	Tray
Pitch - Mating Interface	2.00mm
Shrouded	Fully
Stackable	No
Surface Mount Compatible (SMC)	No
Temperature Range - Operating	-25°C to +85°C
Termination Interface: Style	Through Hole

Electrical

Current - Maximum per Contact	3.0A
Voltage - Maximum	250V

Material Info

EU ELV

Not Relevant

EU RoHS

Compliant

REACH SVHC

Not Contained Per -
ED/21/2016 (20 June
2016)

Halogen-Free

Status

Not Low-Halogen

Need more information on product environmental compliance?

Email productcompliance@molex.com
Please visit the [Contact Us](#) section for any non-product compliance questions.

China ROHS

ELV

Green Image

Not Relevant

Search Parts in this Series

[55917](#) Series

Mates With

[51353](#) MicroClasp™ Wire-to-Board Receptacle Housing

Reference - Drawing Numbers

Product Specification

PS-51353-003, PS-51353-010, RPS-501844-001,
RPS-51353-005, RPS-51353-008, RPS-51353-009,
RPS-51353-014, RPS-51353-016, RPS-51353-018,
RPS-51353-019, RPS-51353-020, RPS-51353-021,
RPS-51353-023, RPS-51353-024, RPS-51353-025,
RPS-51353-026, RPS-51353-028, RPS-51353-030,
RPS-51353-036, RPS-51353-037

Sales Drawing

SD-55917-005

This document was generated on 08/19/2016

PLEASE CHECK WWW.MOLEX.COM FOR LATEST PART INFORMATION