

**PLEASE CHECK WWW.MOLEX.COM FOR LATEST PART INFORMATION**

**Part Number:** [0511430305](#)  
**Status:** **Active**  
**Description:** 6.50mm Wire-to-Board Terminal Position Assurance (TPA) Retainer, 3 Circuits

**Documents:**

<a href="#">3D Model</a>	<a href="#">Product Specification PS-51142-003 (PDF)</a>
<a href="#">Drawing (PDF)</a>	<a href="#">RoHS Certificate of Compliance (PDF)</a>
<a href="#">Product Specification PS-51142-002 (PDF)</a>	

**General**

Product Family	Accessories
Series	51143
Component Type	Terminal Position Assurance
Product Name	CP-6.5, TPA - Term Pos Assurance
UPC	800753323704

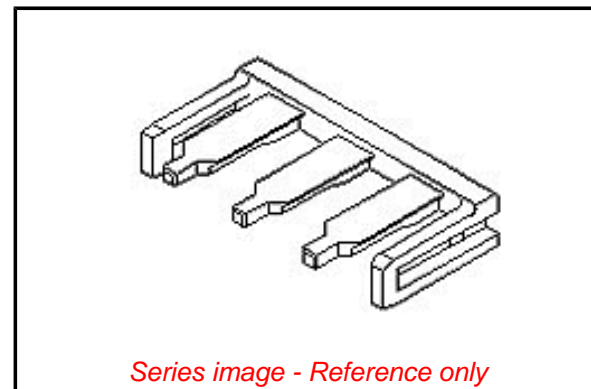
**Physical**

Circuits (Loaded)	3
Color - Resin	Gray
Lock to Mating Part	Yes
Material - Resin	PBTP
Net Weight	414.700/mg
Number of Rows	1
Packaging Type	Bag

**Material Info**

**Reference - Drawing Numbers**

Product Specification	PS-51142-002, PS-51142-003, RPS-51142-002, RPS-51142-004, RPS-51142-005, RPS-51142-007, RPS-51142-008
Sales Drawing	SD-51143-**05



**EU ELV**

**Not Relevant**

**EU RoHS**

**Compliant**

**REACH SVHC**

Not Contained Per - ED/21/2016 (20 June 2016)

**Halogen-Free**

**Status**

**Not Low-Halogen**

**Need more information on product environmental compliance?**

Email [productcompliance@molex.com](mailto:productcompliance@molex.com)  
Please visit the [Contact Us](#) section for any non-product compliance questions.

China ROHS  
ELV

Green Image  
Not Relevant

**Search Parts in this Series**

51143 Series

**Use With**

51142