

**PLEASE CHECK WWW.MOLEX.COM FOR LATEST PART INFORMATION**

**Part Number:** [1053251003](#)  
**Status:** **Active**  
**Overview:** Nano-Fit™ Power Connectors  
**Description:** Nano-Fit™ Terminal Position Assurance (TPA) Retainer, 2.50mm Pitch, 3 Circuits, Black

**Documents:**

[3D Model](#) [Packaging Specification PK-105325-100 \(PDF\)](#)  
[Drawing \(PDF\)](#) [RoHS Certificate of Compliance \(PDF\)](#)

**General**

Product Family	Accessories
Series	<a href="#">105325</a>
Comments	Operating temperature is -40#C to +105#C for tin and -40#C to +115#C for gold
Component Type	Terminal Position Assurance
Overview	<a href="#">Nano-Fit™ Power Connectors</a>
Product Name	Nano-Fit™, TPA - Term Pos Assurance
UPC	889056028561

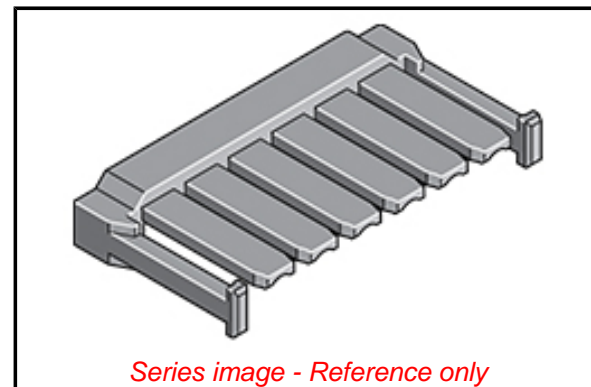
**Physical**

Circuits (Loaded)	3
Color - Resin	Black
Lock to Mating Part	Yes
Material - Resin	Nylon
Net Weight	0.100/g
Number of Rows	1
Packaging Type	Bag
Temperature Range - Operating	-40°C to +105°C, -40°C to +115°C

**Material Info**

**Reference - Drawing Numbers**

Packaging Specification	PK-105325-100
Sales Drawing	SD-105325-100



**EU ELV**

**Not Reviewed**

**EU RoHS**

**Not Reviewed**

**REACH SVHC**

Not Reviewed

**Halogen-Free**

**Status**

**Not Reviewed**

**Need more information on product environmental compliance?**

Email [productcompliance@molex.com](mailto:productcompliance@molex.com)  
Please visit the [Contact Us](#) section for any non-product compliance questions.

China ROHS

Not Reviewed

ELV

Not Reviewed

**Search Parts in this Series**

[105325](#) Series

**Use With**

Nano-Fit™ TPA Receptacle Housing  
105307 , 105308

**PLEASE CHECK WWW.MOLEX.COM FOR LATEST PART INFORMATION**