

PLEASE CHECK WWW.MOLEX.COM FOR LATEST PART INFORMATION

Part Number: [0955036671](#)
Status: **Active**
Overview: [Modular Jacks and Plugs](#)
Description: Modular Jack, Vertical, Top Entry, Surface Mount, 6/6, Low Profile, Tube

Documents:

[3D Model](#) [RoHS Certificate of Compliance \(PDF\)](#)
[Drawing \(PDF\)](#) [Product Literature \(PDF\)](#)

Agency Certification

UL E107635

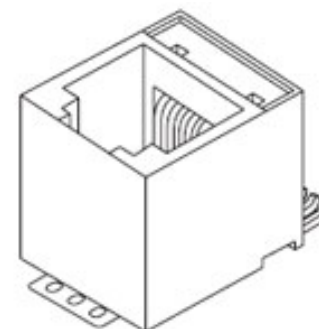
General

Product Family Modular Jacks/Plugs
 Series [95503](#)
 Comments Reflow Capable
 Component Type PCB Jack
 Magnetic No
 Overview [Modular Jacks and Plugs](#)
 Performance Category 3
 Power over Ethernet (PoE) N/A
 Product Literature Order No 987650-8441
 Product Name RJ11
 UPC 800756804361

Physical

Boot Color N/A
 Color - Resin Black
 Durability (mating cycles max) 2500
 Flammability 94V-0
 Inverted / Top Latch No
 Jack Height 15.70mm
 Keying to Mating Part None
 Lightpipes/LEDs None
 Material - Metal Copper Alloy
 Material - Plating Mating Gold over Palladium Nickel
 Material - Plating Termination Tin
 Material - Resin High Temperature Thermoplastic
 Net Weight 2.491/g
 Orientation Vertical (Top Entry)
 PCB Locator Yes
 PCB Retention Yes
 PCB Thickness - Recommended 1.57mm
 Packaging Type Tube
 Pitch - Mating Interface 1.02mm
 Pitch - Termination Interface 1.27mm
 Plating min - Mating 0.051µm, 1.016µm
 Plating min - Termination 1.905µm
 Ports 1
 Positions / Loaded Contacts 6/6
 Surface Mount Compatible (SMC) Yes
 Temperature Range - Operating -40°C to +85°C
 Termination Interface: Style Surface Mount
 Waterproof / Dustproof No
 Wire/Cable Type N/A

Electrical



Series image - Reference only

EU ELV

Not Relevant

EU RoHS

Compliant

REACH SVHC

Not Contained Per -
 ED/21/2016 (20 June
 2016)

Halogen-Free

Status

Low-Halogen

**Need more information on product
 environmental compliance?**

Email productcompliance@molex.com
 Please visit the [Contact Us](#) section for any
 non-product compliance questions.

China ROHS

ELV

Green Image

Not Relevant

Search Parts in this Series

[95503](#) Series

Mates With

[90075](#) Modular Plug

Current - Maximum per Contact	1.5A
Shielded	No
Voltage - Maximum	125V DC

Solder Process Data

Duration at Max. Process Temperature (seconds)	040
Lead-free Process Capability	REFLOW
Max. Cycles at Max. Process Temperature	003
Process Temperature max. C	260

Material Info**Reference - Drawing Numbers**

Sales Drawing	SD-95503-003
---------------	--------------

This document was generated on 07/20/2016

PLEASE CHECK WWW.MOLEX.COM FOR LATEST PART INFORMATION