

Switchcraft®

E & EH Series Wall Plates



WP1B2P



WP2S4P

Features

- Compatible with our full line of E & EH Series connectors
- Available as single and double gang with 0, 1, 2, and 4 connector holes
- Available with standard (non-threaded) or tapped 4-40 connector mounting holes
- RoHS Compliant

E & EH Series Wall Plates

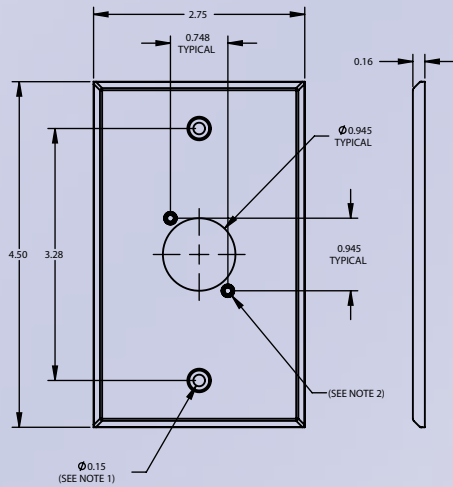
E & EH Series Wall Plates from Switchcraft® are the perfect solution for anyone requiring custom connector configurations on standard size wall plates. Options include single and double gang with 0, 1, 2, and 4 connector holes. Plates are available in brushed stainless steel or anodized black aluminum and with standard or tapped 4-40 connector mounting holes. Tapped 4-40 connector mounting holes allow connectors to be screwed directly into the plate without the use of a nut (front mount only).

Any combination of Switchcraft® E and EH Series panel mount connectors are compatible, providing the most customizable line of audio, video, and data connectivity available for standard size wall plates.

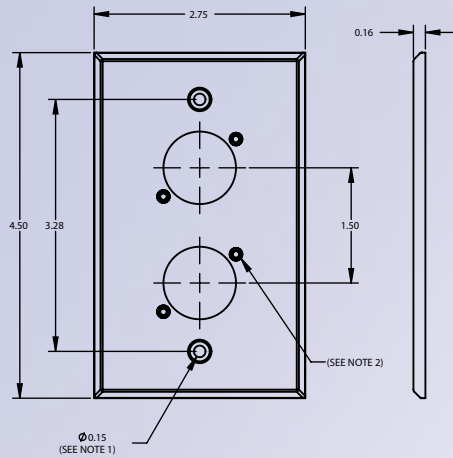


Switchcraft®

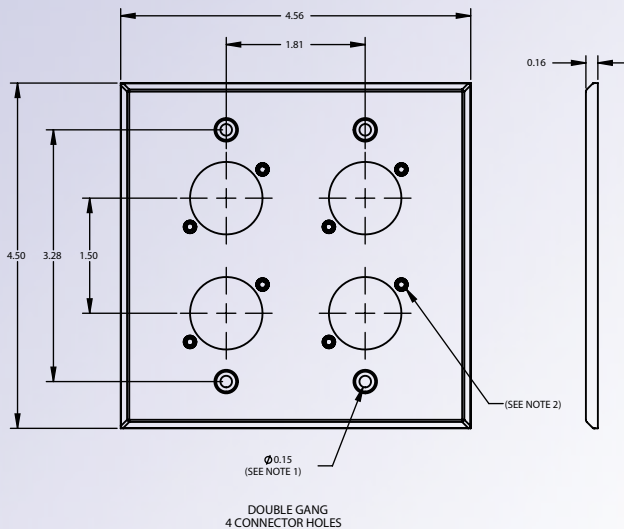
E & EH Series Wall Plates



SINGLE GANG
1 CONNECTOR HOLE



SINGLE GANG
2 CONNECTOR HOLES



DOUBLE GANG
4 CONNECTOR HOLES



WP1B2

PART NUMBER	GANG SIZE	FINISH	EH CONNECTOR HOLES	CONNECTOR MOUNTING HOLE
WP1S	1	STAINLESS STEEL	0	NONE
WP1S1	1	STAINLESS STEEL	1	Ø0.138
WP1S1P	1	STAINLESS STEEL	1	#4-40 THREAD
WP1B1	1	BLACK ALUMINUM	1	Ø0.138
WP1B1P	1	BLACK ALUMINUM	1	#4-40 THREAD
WP1S2	1	STAINLESS STEEL	2	Ø0.138
WP1S2P	1	STAINLESS STEEL	2	#4-40 THREAD
WP1B2	1	BLACK ALUMINUM	2	Ø0.138
WP1B2P	1	BLACK ALUMINUM	2	#4-40 THREAD
WP2S4	2	STAINLESS STEEL	4	Ø0.138
WP2S4P	2	STAINLESS STEEL	4	#4-40 THREAD
WP2B4	2	BLACK ALUMINUM	4	Ø0.138
WP2B4P	2	BLACK ALUMINUM	4	#4-40 THREAD

NOTES:

1. WALL PLATES COME WITH #6-32 MOUNTING SCREWS.
2. WALL PLATES ARE AVAILABLE WITH STANDARD (NON-THREADED) OR TAPPED #4-40 PEM CONNECTOR MOUNTING HOLES.
3. THIS PRODUCT IS RoHS COMPLIANT.

