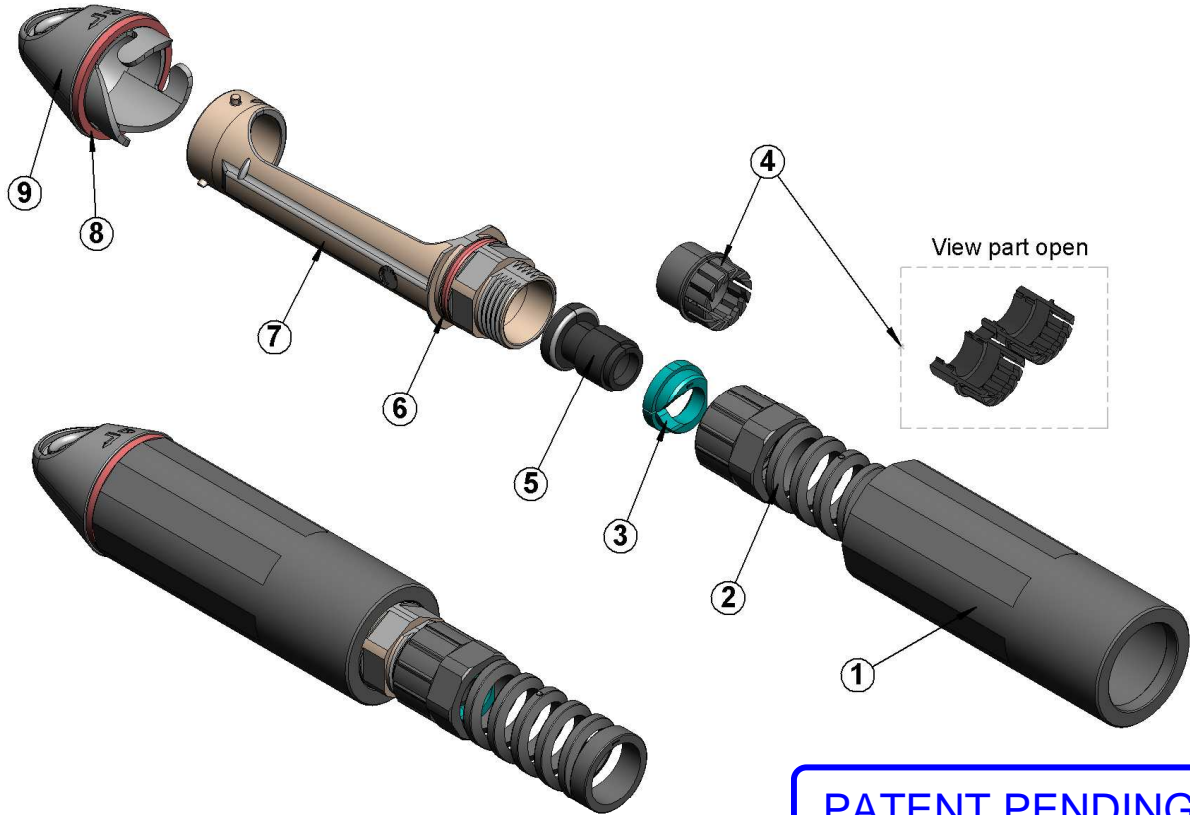
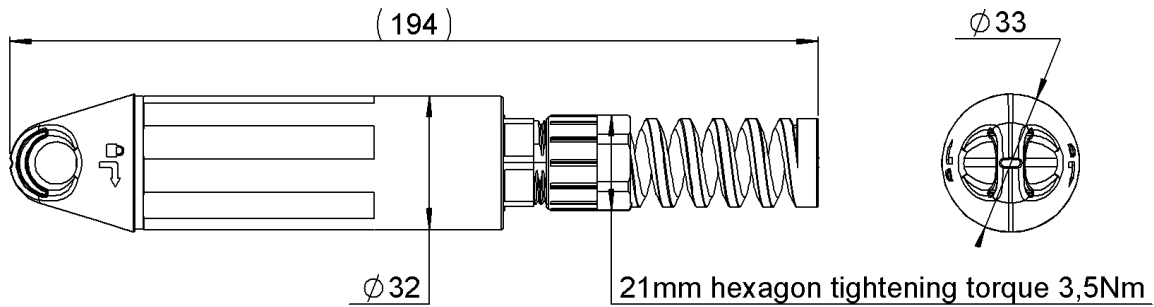


Dimensions in mm



PATENT PENDING



DESCRIPTION

REP	COMPONENT	MATERIAL	PLATING
1	COUPLING NUT	ALUMINIUM	NONE
2	NUT TAIL OF PIG	PA6.6 GF	NA
3	TIGHTENING CONE	PA6.6	NA
4	CLAMP NUT ELASTIC SHELL	PA6.6	NA
5	CLAMP SPLIT GASKET	NITRILE (NBR)	NA
6	O-RING BODY GASKET	SILICONE	NA
7	PLUG BODY	ZAMAK	NICKEL
8	GASKET SEALING CAP	SILICONE	NA
9	PLUG PROTECTION CAP	PBT GF	NA

CREATION	
N°Project : EPC0812	
Name : RV	
Date : 26/07/2010	
Appr. : BD	

1115 B	Update	MR	BD
1035 B	Material Change of Nut tail of pig	RV	BD
Issue	Revisions	Name	Appr.

RADIALL®
 101, rue P. Hoffmann
 93116 ROSNY/BOIS
 FRANCE
 Tel : (33) 0149353535
 Fax : (33) 0148546363

Dimensions in mm

GENERAL CHARACTERISTICS (R2CT kit plug assembled on cable)

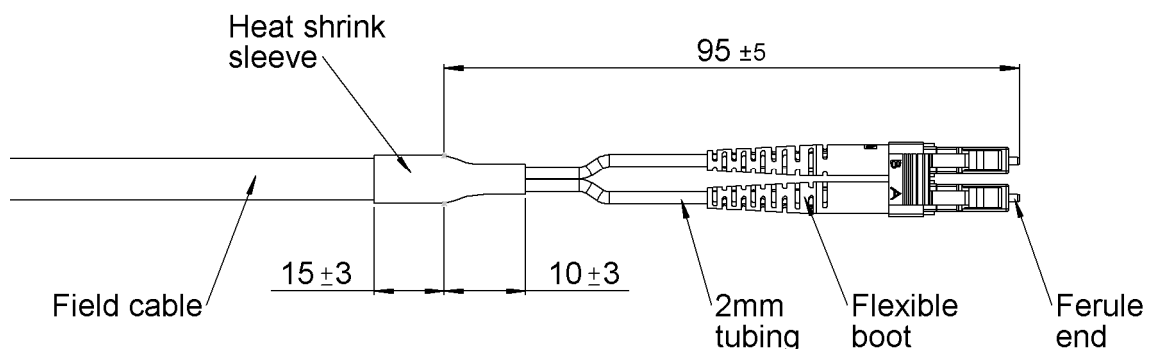
Mechanical : Endurance Tensile load Vibration	100 mating cycles 200N see validation plan
Environmental Protection Operating temperature EMI protection	IP65 : connector mated with Receptacle -40°C to + 85°C No requirement

➤ RoHS compliant

 ➤ Types of cable assemblies to use :

Connector is planned for field cables only

- All types of optical cable assemblies with field cable : LC duplex, multimode or singlemode
- Diameter of field cable : 4,8 to 7 mm
- Other diameter from 7 to 11 mm : in progress of validation

 ➤ Fan out dimensions :


CREATION N°Project : EPC0812 Name : RV Date : 26/07/2010 Appr. : BD				
	1115 B	Update	MR	BD
	1035 B	Material Change of Nut tail of pig	RV	BD
	Issue	Revisions	Name	Appr.
				RADIALL® 101, rue P. Hoffmann 93116 ROSNY/BOIS FRANCE Tel : (33) 0149353535 Fax : (33) 0148546363

Dimensions in mm

VALIDATION PLAN

<i>Parameter</i>	<i>Specification</i>
OPTICAL	
Insertion Loss	IEC 61300-3-4
Return Loss	IEC 61300-3-6
MECHANICAL	
Mating Endurance	IEC 61300-2-2
Vibrations	IEC 61300-2-1
Shocks	IEC 61300-2-9
ENVIRONMENTAL	
Ingress Protection	IEC 60529
Temperature cycling	IEC 61300-2-22
Salt Mist	IEC 61300-2-26

Packaging specification

- Unitary plastic bag 180mm*130mm

CREATION N°Project : EPC0812 Name : RV Date : 26/07/2010 Appr. : BD				
	1115 B	Update	MR	BD
	1035 B	Material Change of Nut tail of pig	RV	BD
	Issue	Revisions	Name	Appr.
RADIALL® 101, rue P. Hoffmann 93116 ROSNY/BOIS FRANCE Tel : (33) 0149353535 Fax : (33) 0148546363				