



Is Now Part of



ON Semiconductor®

To learn more about ON Semiconductor, please visit our website at
www.onsemi.com

ON Semiconductor and the ON Semiconductor logo are trademarks of Semiconductor Components Industries, LLC dba ON Semiconductor or its subsidiaries in the United States and/or other countries. ON Semiconductor owns the rights to a number of patents, trademarks, copyrights, trade secrets, and other intellectual property. A listing of ON Semiconductor's product/patent coverage may be accessed at www.onsemi.com/site/pdf/Patent-Marking.pdf. ON Semiconductor reserves the right to make changes without further notice to any products herein. ON Semiconductor makes no warranty, representation or guarantee regarding the suitability of its products for any particular purpose, nor does ON Semiconductor assume any liability arising out of the application or use of any product or circuit, and specifically disclaims any and all liability, including without limitation special, consequential or incidental damages. Buyer is responsible for its products and applications using ON Semiconductor products, including compliance with all laws, regulations and safety requirements or standards, regardless of any support or applications information provided by ON Semiconductor. "Typical" parameters which may be provided in ON Semiconductor data sheets and/or specifications can and do vary in different applications and actual performance may vary over time. All operating parameters, including "Typicals" must be validated for each customer application by customer's technical experts. ON Semiconductor does not convey any license under its patent rights nor the rights of others. ON Semiconductor products are not designed, intended, or authorized for use as a critical component in life support systems or any FDA Class 3 medical devices or medical devices with a same or similar classification in a foreign jurisdiction or any devices intended for implantation in the human body. Should Buyer purchase or use ON Semiconductor products for any such unintended or unauthorized application, Buyer shall indemnify and hold ON Semiconductor and its officers, employees, subsidiaries, affiliates, and distributors harmless against all claims, costs, damages, and expenses, and reasonable attorney fees arising out of, directly or indirectly, any claim of personal injury or death associated with such unintended or unauthorized use, even if such claim alleges that ON Semiconductor was negligent regarding the design or manufacture of the part. ON Semiconductor is an Equal Opportunity/Affirmative Action Employer. This literature is subject to all applicable copyright laws and is not for resale in any manner.



June 2016



ES3A - ES3J Fast Rectifiers

Features

- For Surface Mount Applications
- Glass-Passivated Junction
- Low-Profile Package
- Easy Pick and Place
- Built-in Strain Relief
- Superfast Recovery Times for High Efficiency



SMC/DO-214AB
COLOR BAND DENOTES CATHODE

Ordering Information

| Part Number | Top Mark | Package | Packing Method |
|-------------|----------|----------------|----------------|
| ES3A | ES3A | DO-214AB (SMC) | Tape and Reel |
| ES3B | ES3B | DO-214AB (SMC) | Tape and Reel |
| ES3C | ES3C | DO-214AB (SMC) | Tape and Reel |
| ES3D | ES3D | DO-214AB (SMC) | Tape and Reel |
| ES3J | ES3J | DO-214AB (SMC) | Tape and Reel |

Absolute Maximum Ratings

Stresses exceeding the absolute maximum ratings may damage the device. The device may not function or be operable above the recommended operating conditions and stressing the parts to these levels is not recommended. In addition, extended exposure to stresses above the recommended operating conditions may affect device reliability. The absolute maximum ratings are stress ratings only. Values are at $T_A = 25^\circ\text{C}$ unless otherwise noted.

| Symbol | Parameter | Value | | | | | Unit |
|----------------|---|-------------|------|------|------|------|------------------|
| | | ES3A | ES3B | ES3C | ES3D | ES3J | |
| V_{RRM} | Maximum Repetitive Reverse Voltage | 50 | 100 | 150 | 200 | 600 | V |
| $I_{F(AV)}$ | Average Rectified Forward Current, .375" Lead Length at $T_A = 75^\circ\text{C}$ | 3.0 | | | | | A |
| I_{FSM} | Non-Repetitive Peak Forward Surge Current 8.3 ms Single Half-Sine Wave | 100 | | | | | A |
| T_J, T_{STG} | Operating Junction and Storage Temperature Range | -50 to +150 | | | | | $^\circ\text{C}$ |

Thermal Characteristics

Values are at $T_A = 25^\circ\text{C}$ unless otherwise noted.

| Symbol | Parameter | | Value | Unit |
|-----------------|---|------------------------------------|-------|---------------------------|
| P_D | Power Dissipation | | 1.66 | W |
| $R_{\theta JA}$ | Thermal Resistance, Junction to Ambient ⁽¹⁾ | Maximum Land Pattern: 16 x 16 mm | 47 | $^\circ\text{C}/\text{W}$ |
| | | Minimum Land Pattern: 2.6 x 3.2 mm | 125 | |
| $R_{\theta JL}$ | Thermal Resistance, Junction to Lead ⁽¹⁾ | Maximum Land Pattern: 16 x 16 mm | 12 | $^\circ\text{C}/\text{W}$ |
| | | Minimum Land Pattern: 2.6 x 3.2 mm | 16 | |

Note:

1. Device mounted on FR-4 PCB 0.013 mm.

Electrical Characteristics

Values are at $T_A = 25^\circ\text{C}$ unless otherwise noted.

| Symbol | Parameter | Conditions | Value | | | | | Unit |
|----------|---|--|-------|------|------|---------------|------|------|
| | | | ES3A | ES3B | ES3C | ES3D | ES3J | |
| V_F | Maximum Forward Voltage | $I_F = 3.0\text{ A}$ | 0.95 | | | 1.70 | V | |
| t_{rr} | Reverse Recovery Time | $I_F = 0.5\text{ A},$ $I_R = 1.0\text{ A},$ $I_{RR} = 0.25\text{ A}$ | Typ. | | 20 | 35 | ns | |
| | | | Max. | | 30 | 45 | | |
| I_R | Maximum Reverse Current at Rated V_R | $T_A = 25^\circ\text{C}$ | 10 | | | μA | | |
| | | $T_A = 100^\circ\text{C}$ | 500 | | | | | |
| C_T | Total Capacitance | $V_R = 4.0\text{ V}, f = 1.0\text{ MHz}$ | 45 | | | pF | | |

Typical Performance Characteristics



Figure 1. Forward Current Derating Curve

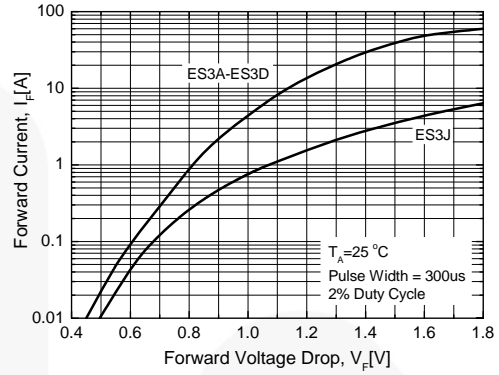


Figure 2. Forward Voltage Characteristics

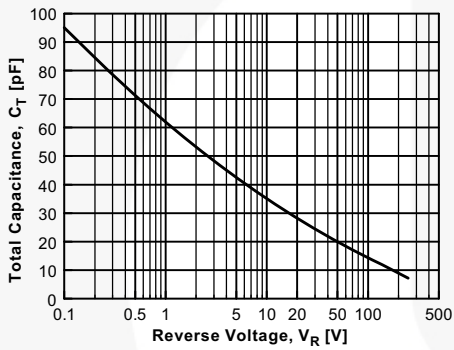


Figure 3. Total Capacitance

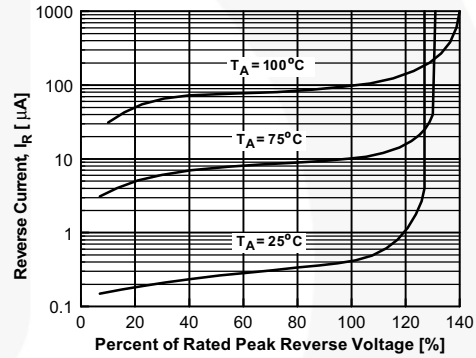


Figure 4. Reverse Current vs. Reverse Voltage



NOTES:

1. Rise time = 7.0 ns max; Input impedance = 1.0 megaohm 22 pf.
2. Rise time = 10 ns max; Source impedance = 50 ohms.

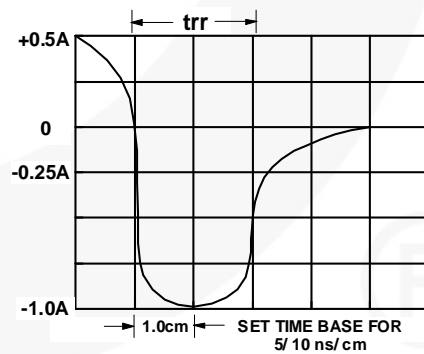


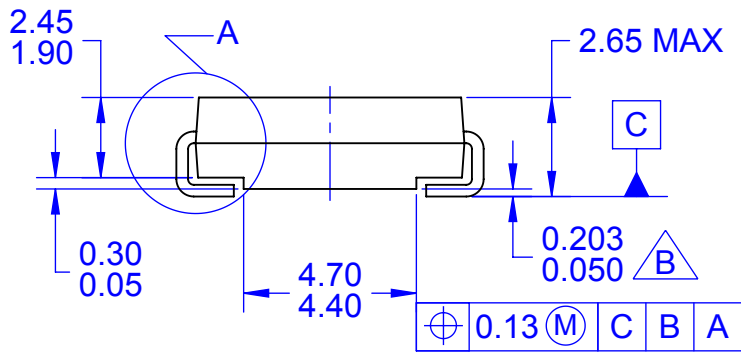
Figure 5. Reverse Recovery Time Characteristic and Test Circuit Diagram



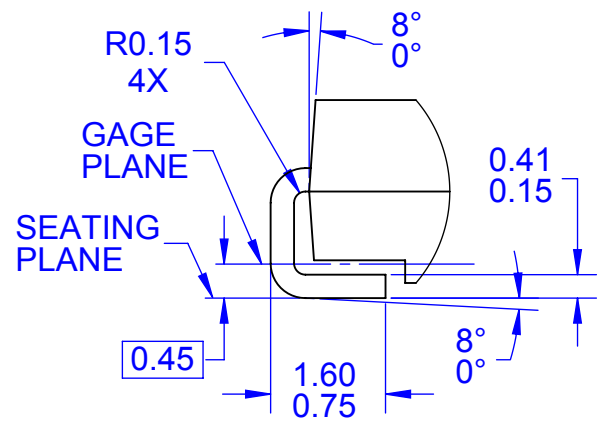
TOP VIEW



LAND PATTERN RECOMMENDATION



SIDE VIEW



DETAIL A
SCALE 2:1

NOTES:

A. EXCEPT WHERE NOTED, CONFORMS TO JEDEC DO-214, VARIATION AB

$\triangle B$ DOES NOT COMPLY TO JEDEC STD. VALUE

C. ALL DIMENSIONS ARE IN MILLIMETERS

D. DIMENSIONS ARE EXCLUSIVE OF BURRS, MOLD FLASH, AND TIE BAR PROTRUSIONS.

E. DIMENSIONS AND TOLERANCING AS PER ASME Y14.5-2009

F. LAND PATTERN STANDARD: DIOM7957X241M

G. DRAWING FILENAME: MKT-DO214ABrev2



ON Semiconductor and  are trademarks of Semiconductor Components Industries, LLC dba ON Semiconductor or its subsidiaries in the United States and/or other countries. ON Semiconductor owns the rights to a number of patents, trademarks, copyrights, trade secrets, and other intellectual property. A listing of ON Semiconductor's product/patent coverage may be accessed at www.onsemi.com/site/pdf/Patent-Marking.pdf. ON Semiconductor reserves the right to make changes without further notice to any products herein. ON Semiconductor makes no warranty, representation or guarantee regarding the suitability of its products for any particular purpose, nor does ON Semiconductor assume any liability arising out of the application or use of any product or circuit, and specifically disclaims any and all liability, including without limitation special, consequential or incidental damages. Buyer is responsible for its products and applications using ON Semiconductor products, including compliance with all laws, regulations and safety requirements or standards, regardless of any support or applications information provided by ON Semiconductor. "Typical" parameters which may be provided in ON Semiconductor data sheets and/or specifications can and do vary in different applications and actual performance may vary over time. All operating parameters, including "Typicals" must be validated for each customer application by customer's technical experts. ON Semiconductor does not convey any license under its patent rights nor the rights of others. ON Semiconductor products are not designed, intended, or authorized for use as a critical component in life support systems or any FDA Class 3 medical devices or medical devices with a same or similar classification in a foreign jurisdiction or any devices intended for implantation in the human body. Should Buyer purchase or use ON Semiconductor products for any such unintended or unauthorized application, Buyer shall indemnify and hold ON Semiconductor and its officers, employees, subsidiaries, affiliates, and distributors harmless against all claims, costs, damages, and expenses, and reasonable attorney fees arising out of, directly or indirectly, any claim of personal injury or death associated with such unintended or unauthorized use, even if such claim alleges that ON Semiconductor was negligent regarding the design or manufacture of the part. ON Semiconductor is an Equal Opportunity/Affirmative Action Employer. This literature is subject to all applicable copyright laws and is not for resale in any manner.

PUBLICATION ORDERING INFORMATION

LITERATURE FULFILLMENT:

Literature Distribution Center for ON Semiconductor
19521 E. 32nd Pkwy, Aurora, Colorado 80011 USA
Phone: 303-675-2175 or 800-344-3860 Toll Free USA/Canada
Fax: 303-675-2176 or 800-344-3867 Toll Free USA/Canada
Email: orderlit@onsemi.com

N. American Technical Support: 800-282-9855 Toll Free
USA/Canada
Europe, Middle East and Africa Technical Support:
Phone: 421 33 790 2910
Japan Customer Focus Center
Phone: 81-3-5817-1050

ON Semiconductor Website: www.onsemi.com
Order Literature: <http://www.onsemi.com/orderlit>
For additional information, please contact your local
Sales Representative