

PLEASE CHECK WWW.MOLEX.COM FOR LATEST PART INFORMATION

Part Number: [0945120100](#)
Status: **Active**
Overview: Standard Quick-Disconnect Terminals
Description: Quick Disconnect, High Reliability Terminal (HRT), Female for (0.50-1.00mm²) 18-24 AWG Wire, Accepts 6.35 x 0.81mm Tab , Unplated

Documents:

[Drawing \(PDF\)](#) [RoHS Certificate of Compliance \(PDF\)](#)
[Product Specification PS-94512-002-001 \(PDF\)](#)

General

Product Family	Quick Disconnects
Series	94512
Crimp Quality Equipment	Yes
Insulated	No
Overview	Standard Quick-Disconnect Terminals
Product Name	N/A
Type	Quick Disconnect
UPC	800753536098

Physical

Barrel Type	Open
Gender	Female
Glow-Wire Compliant	No
Insulation	None
Lock to Mating Part	None
Material - Metal	Brass
Material - Plating Mating	Unplated
Material - Plating Termination	Tin
Net Weight	0.690/g
Orientation	Straight
Packaging Type	Reel
Polarized to Mating Part	Yes
Tab Thickness	0.81mm
Tab Width	6.35mm
Temperature Range - Operating	-25°C to +55°C
Termination Interface: Style	Crimp or Compression
Wire Insulation Diameter	3.30mm max.
Wire Size AWG	18, 20, 22, 24
Wire Size mm ²	0.50-1.00

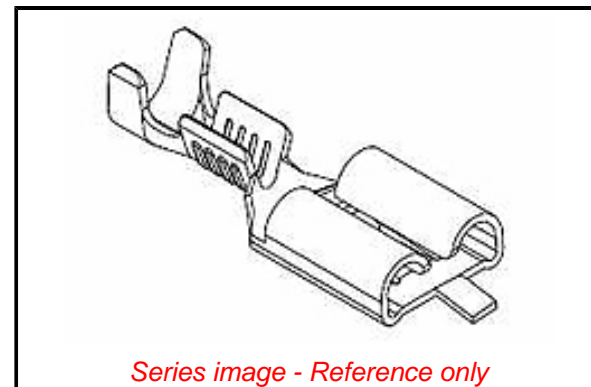
Electrical

Voltage - Maximum	250V
-------------------	------

Material Info

Reference - Drawing Numbers

Product Specification	PS-94512-002-001
Sales Drawing	SD-94512-004



EU ELV

Compliant

EU RoHS

Compliant

REACH SVHC

Not Contained Per
-ED/01/2017 (12
January 2017)

Halogen-Free

Status

Low-Halogen

Need more information on product environmental compliance?

Email productcompliance@molex.com
Please visit the [Contact Us](#) section for any non-product compliance questions.

China ROHS

ELV

RoHS Phthalates

Green Image

Compliant

Not Contained

Search Parts in this Series

[94512 Series](#)

Use With

[94090 Quick Disconnect Housing](#)