



**PCB terminal block; operating lever; 4 mm<sup>2</sup>; Pin spacing 5 mm; 4-pole; Push-in CAGE CLAMP®**

Item No.: 2604-3104



PCB terminal block; operating lever; 4 mm<sup>2</sup>; Pin spacing 5 mm; 4-pole; Push-in CAGE CLAMP®

### Marking

RoHS ✓  
Compliant

### Business data

|                      |               |
|----------------------|---------------|
| Supplier             | WAGO          |
| Item no.             | 2604-3104     |
| GTIN / EAN           | 4055143564731 |
| Content              | 1             |
| Order amount         | 90            |
| Customer item number |               |

### Notes

*Item description: Terminal strips with Push-in CAGE CLAMP® connection and push-button actuation Push-in termination of solid and ferruled, fine-stranded conductors Flush-mount push-buttons that close with minimal force for convenient termination/removal of fine-stranded conductors Convenient, tool-free operation Versions with/without test slots and spacers Versions available with custom internal commoning (factory assembly), e.g., commoning ground conductor*

### Technical data

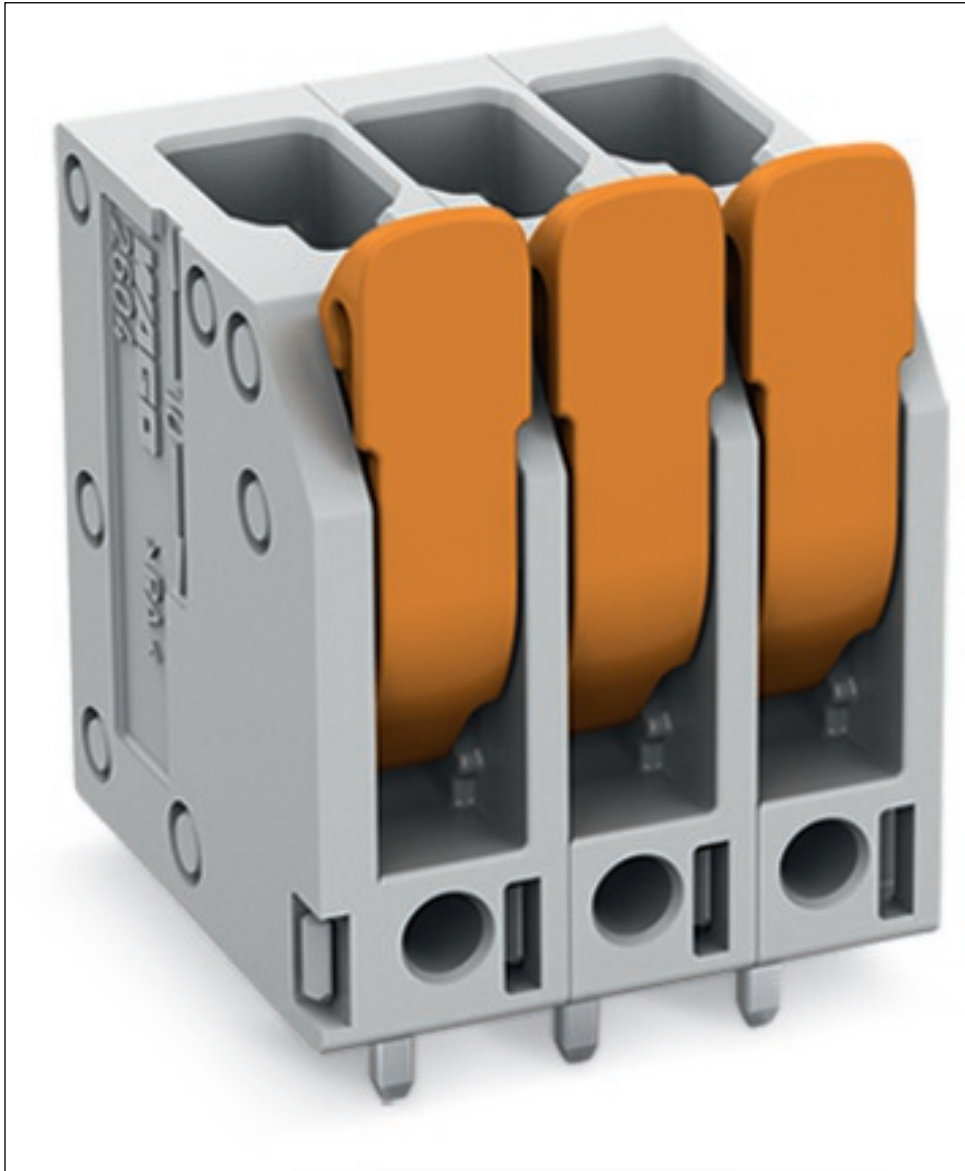
#### Miscellaneous

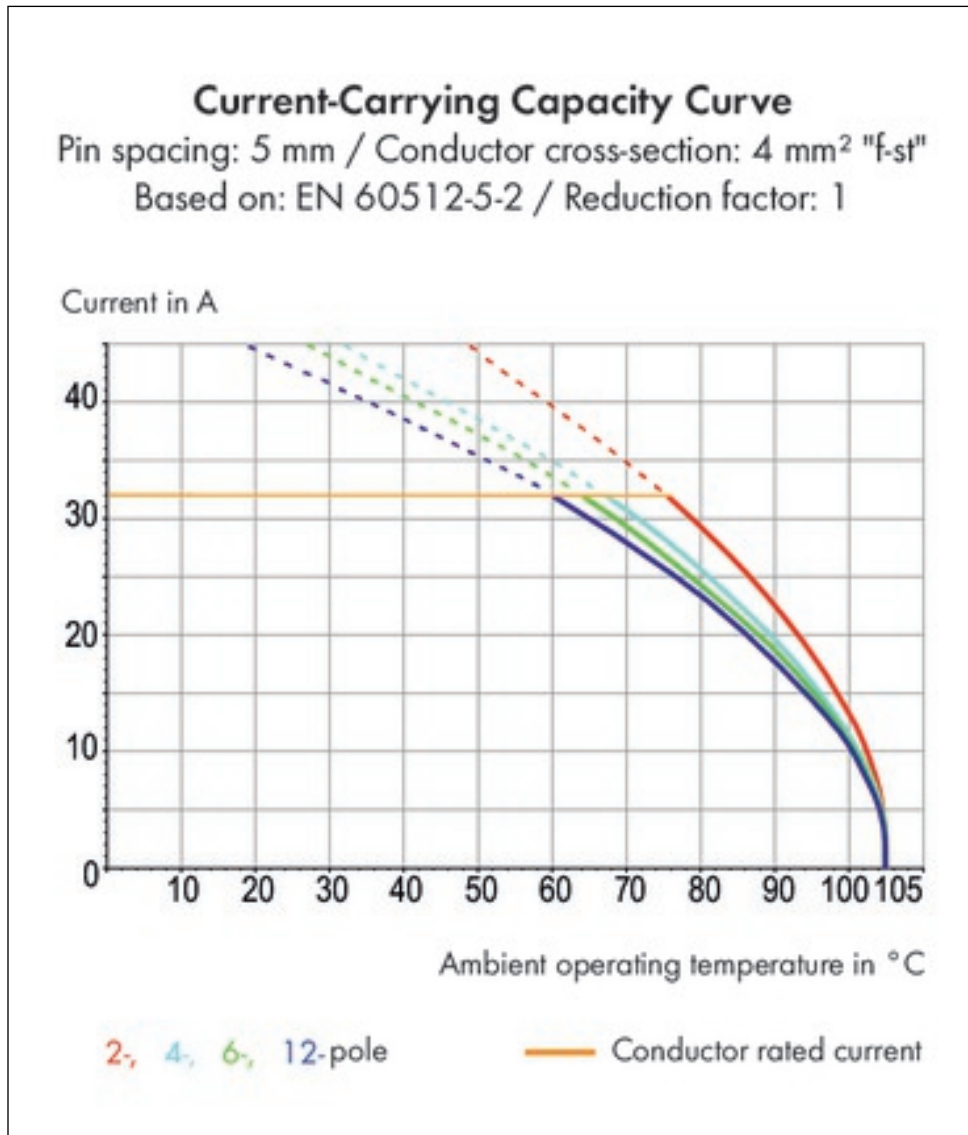
|              |                 |
|--------------|-----------------|
| No. of poles | 4               |
| Pin spacing  | 5 mm (0.197 in) |

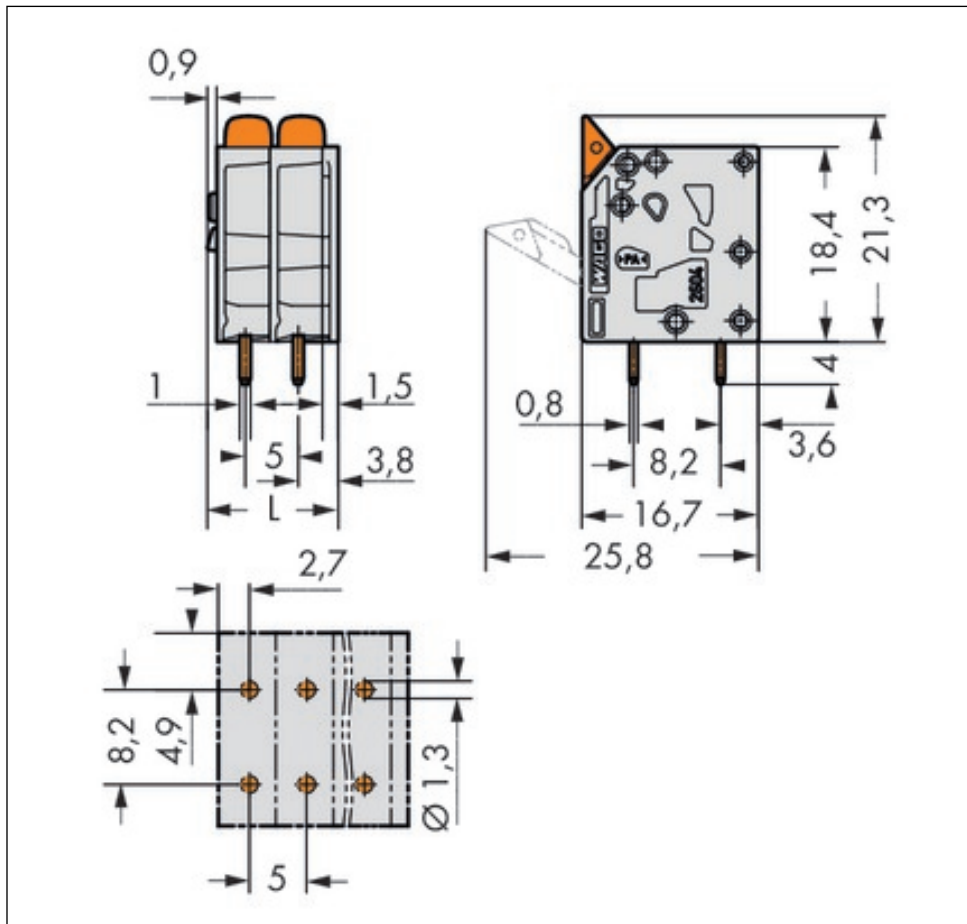
| <b>Technical data</b>                                       |   |
|---|---|
| Total number of connection points                           | 4   |
| Total number of potentials                                  | 4   |
| Color   | gray  |
| Ratings per   | IEC/EN 60664-1  |
| Rated voltage (III / 3) [V]                                 | 320 [V]   |
| Rated impulse voltage (III / 3) [kV]                        | 4 [kV]  |
| Rated voltage (III/2) [V]                                   | 400 [V]   |
| Rated impulse voltage (III / 2) [kV]                        | 4 [kV]  |
| Rated voltage (II / 2) [V]                                  | 630 [V]   |
| Rated impulse voltage (II / 2) [kV]                         | 4 [kV]  |
| Rated current [A]   | 32 [A]  |
| Legend for ratings  | (III / 2) Overvoltage category III / Pollution degree 2 |
| Number of connection objects                                | 1   |
| Number of levels  | 1   |
| Connection technology                                       | Push-in CAGE CLAMP®                                     |
| Number of connection points connector                       | 1   |
| Actuation type  | Operating lever   |
| Solid conductor   | 0.2 ... 4 mm <sup>2</sup> / 24 ... 12 AWG               |
| Fine-stranded conductor                                     | 0.2 ... 4 mm <sup>2</sup> / 24 ... 12 AWG               |
| Fine-stranded conductor with ferrule with plastic collar    | 0.25 ... 2.5 mm <sup>2</sup> / ...                      |
| Fine-stranded conductor with ferrule without plastic collar | 0.25 ... 2.5 mm <sup>2</sup> / ...                      |
| Strip length  | 9 ... 11 mm / 0.35 ... 0.43 Inch                        |
| Conductor entry angle to the PCB [°]                        | 90 [°]  |
| Solder pin arrangement                                      | over the entire terminal strip, in line                 |
| Solder pin length [mm]                                      | 4 [mm]  |
| Drilled hole diameter (tolerance) [mm]                      | 1.3(+ 0.1) [mm]   |
| Material group  | I   |
| Insulating material   | Polyamide 66 (PA 66)                                    |
| Flammability class per UL94                                 | V0  |
| Limit temperature range                                     | -60 ... 105 °C  |
| Clamping spring material                                    | Chrome-nickel spring steel (CrNi)                       |
| Contact material  | Electrolytic copper (Ecu)                               |
| Contact plating   | tin-plated  |
| Weight [g]  | 6.92 [g]  |

| <b>Technical data</b>          |                             |
|--------------------------------|-----------------------------|
| <i>Width</i>                   | <i>22.4 mm / 0.882 Inch</i> |
| <i>Height</i>                  | <i>25.3 mm / 0.996 Inch</i> |
| <i>Height from the surface</i> | <i>21.3 mm / 0.839 Inch</i> |
| <i>Depth</i>                   | <i>16.7 mm / 0.657 Inch</i> |
| <i>Pin spacing from [mm]</i>   | <i>5 [mm]</i>               |

Images & drawings







## Address

WAGO Kontakttechnik GmbH & Co. KG

Hansastr. 27

32423 Minden

Telefon: 0571/887-0

Fax: 0571/887-169

<http://www.wago.com>

© WAGO Kontakttechnik GmbH & Co. KG

Technische Änderungen und Irrtümer vorbehalten.