

**PLEASE CHECK WWW.MOLEX.COM FOR LATEST PART INFORMATION**

**Part Number:** [0535531879](#)  
**Status:** **Active**  
**Overview:** SlimStack™ 0.635mm Pitch Board-to-Board Connectors  
**Description:** 0.635mm Pitch SlimStack™ Header, Surface Mount, Dual Row, Vertical Stacking, 10.00 and 16.00mm Stacking Heights, 180 Circuits, with Tube Packaging

**Documents:**

[Drawing \(PDF\)](#) [Product Specification PS-52760-015-001 \(PDF\)](#)  
[Product Specification 527600000-000 \(PDF\)](#) [RoHS Certificate of Compliance \(PDF\)](#)

**General**

Product Family	PCB Headers
Series	<a href="#">53553</a>
Application	Board-to-Board, Signal
Comments	Stacking-Type
Overview	<a href="#">SlimStack™ 0.635mm Pitch Board-to-Board Connectors</a>
Product Name	SlimStack™
UPC	822348204465

**Physical**

Breakaway	No
Circuits (Loaded)	180
Circuits (maximum)	180
Color - Resin	Natural
Durability (mating cycles max)	50
First Mate / Last Break	No
Glow-Wire Compliant	No
Guide to Mating Part	No
Keying to Mating Part	None
Lock to Mating Part	Yes
Mated Height	10.00mm, 16.00mm
Material - Metal	Brass, Phosphor Bronze
Material - Plating Mating	Gold
Material - Plating Termination	Tin
Material - Resin	High Temperature Thermoplastic
Net Weight	2506.840/mg
Number of Rows	2
Orientation	Vertical
PCB Locator	Yes
PCB Retention	Yes
Packaging Type	Tube
Pitch - Mating Interface	0.64mm
Plating min - Mating	0.254µm
Plating min - Termination	2.032µm
Polarized to PCB	Yes
Shrouded	Fully
Stackable	No
Temperature Range - Operating	-55°C to +105°C
Termination Interface: Style	Surface Mount

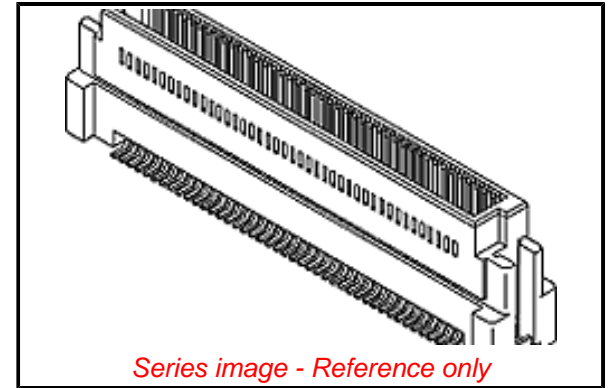
**Electrical**

Current - Maximum per Contact	0.5A
Voltage - Maximum	100V

**Material Info**

**Reference - Drawing Numbers**

Product Specification	527600000-000, PS-52760-015-001
-----------------------	---------------------------------



*Series image - Reference only*

**EU ELV**

**Not Relevant**

**EU RoHS**

**Compliant**

**REACH SVHC**

Not Contained Per  
-ED/01/2017 (12  
January 2017)

**Halogen-Free**

**Status**

**Not Low-Halogen**

**Need more information on product environmental compliance?**

Email [productcompliance@molex.com](mailto:productcompliance@molex.com)  
Please visit the [Contact Us](#) section for any non-product compliance questions.

China ROHS

ELV

RoHS Phthalates

**China RoHS**

Green Image

Not Relevant

Not Contained

**Search Parts in this Series**

[53553](#) Series

**Mates With**

[52760](#) for Stack Height 8.00mm, [52885](#) for Stack Height 8.00mm, [52837](#) for Stack Height 14.00mm, [52901](#) for Stack Height 14.00mm

This document was generated on 03/17/2017

**PLEASE CHECK [WWW.MOLEX.COM](http://WWW.MOLEX.COM) FOR LATEST PART INFORMATION**