

JJS Limitron™ 600Vac, 1-800A, fast-acting Class T fuses

RoHS



Catalog Symbol:

- JJS-(amp)

Description:

Eaton's Bussmann™ series Limitron™ advanced protection Class T current-limiting, fast-acting fuses.

Specifications:

Ratings

- Volts — 600 Vac
- Amps — 1-800 A
- IR — 200 kA Vac RMS Sym.

Agency Information

- UL® Listed, Std. 248-15, Class T, Guide JDDZ, File E4273
- CSA® Certified, C22.2 No. 248.15, Class 1422-02, File 53787
- CE
- RoHS complaint

Catalog numbers (amps)

JJS-1	JJS-30	JJS-90	JJS-250
JJS-2	JJS-35	JJS-100	JJS-300
JJS-3	JJS-40	JJS-110	JJS-350
JJS-6	JJS-45	JJS-125	JJS-400
JJS-10	JJS-50	JJS-150	JJS-450
JJS-15	JJS-60	JJS-175	JJS-500
JJS-20	JJS-70	JJS-200	JJS-600
JJS-25	JJS-80	JJS-225	JJS-800

Carton quantity

Amp rating	Carton qty.
Up to 60	10
70-100	5
110-800	1

Features:

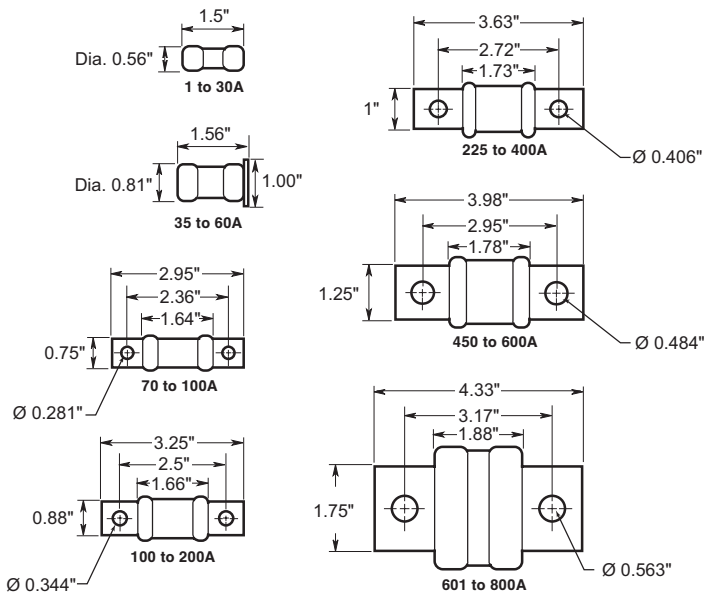
- Provides 10X better current limitation to help prevent equipment damage caused by short-circuit events.
- 200 kA Interrupting rating complies with NEC® Section 110.9 for today's large capacity systems.
- Fast-acting fuse helps prevent equipment damage caused by short-circuit events.
- Small, space-saving fuses provide a high degree of current limitation on short-circuits for excellent component protection.
- Ideal for critical industrial or commercial applications that have specific current limitation requirements.

Recommended fuse blocks*

Amp rating	1-pole	2-pole	3-pole
up to 30	T60030-1_	T60030-2_	T60030-3_
35-60	T60060-1_	T60060-2_	T60060-3_
70-100	T60100-1_	T60100-2_	T60100-3_
110-200	T60200-1_	—	1B0089
225-400	T60400-1_	—	—
450-600	T60600-1_	—	—

* For additional information, see data sheet no. 1116.

Dimensions – in

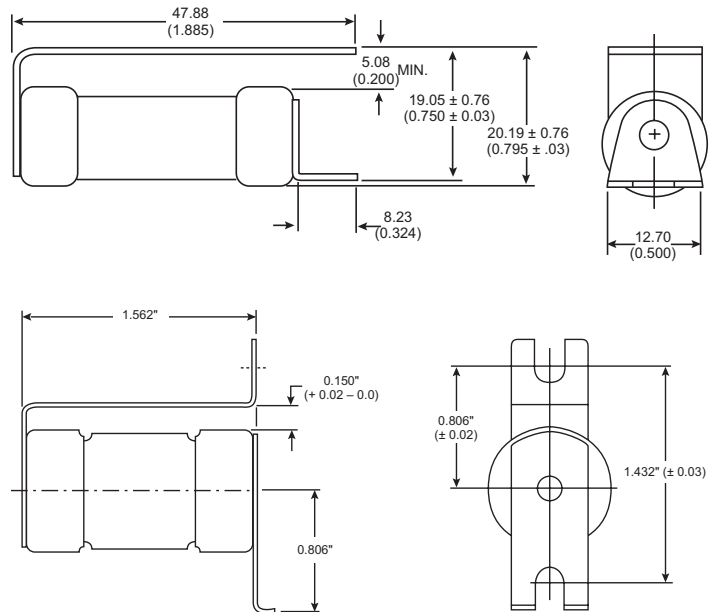


Custom designs

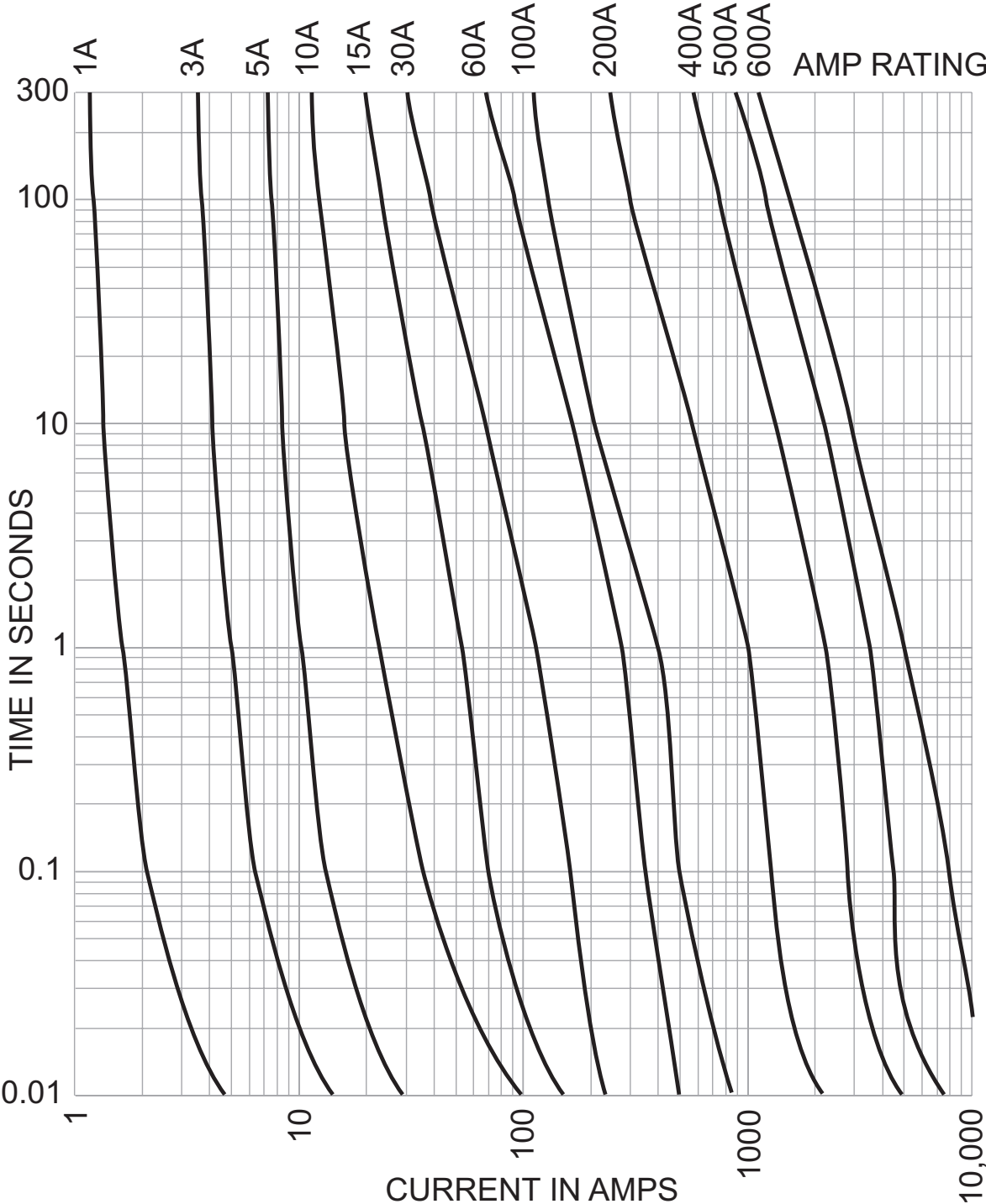
Printed circuit board versions available up to 60 amps. Consult your Bussmann series product representative for details.

UL Component Recognized, Guide JFHR2, File E56412.

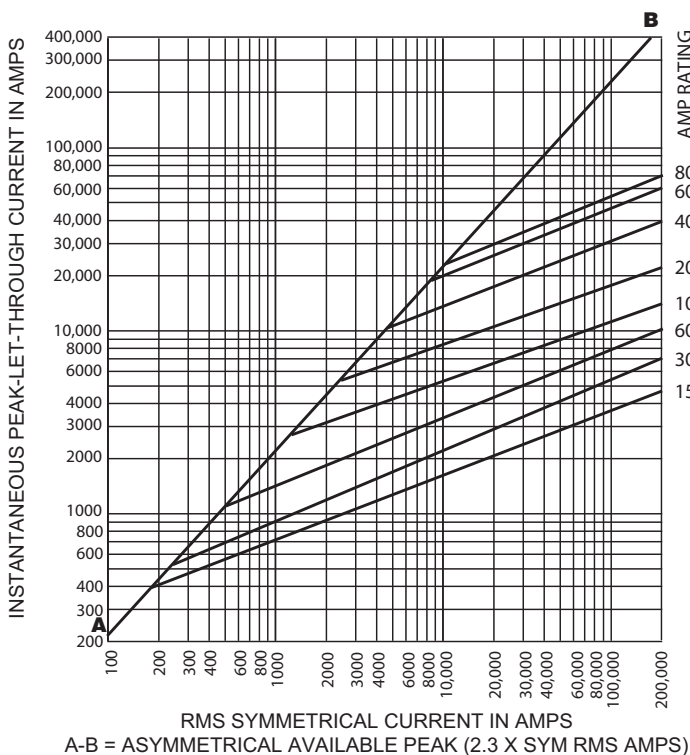
Dimensions - in



Time-current curves - average melt



Current-limitation curves



Current-limiting effects

Prospect S.C.C.	Let-through current (apparent RMS Sym. vs. fuse rating)							
	15A	30A	60A	100A	200A	400A	600A	800A
—	500	1000	1000	1000	1000	1000	1000	1000
500	1000	1000	1000	1000	1000	1000	1000	1000
1000	1000	1000	1000	1000	1000	1000	1000	1000
5000	1000	1000	1000	1000	2000	3000	4000	5000
10,000	1000	1000	1000	1000	2000	3000	6000	8000
15,000	1000	1000	1000	2000	3000	4000	7000	10,000
20,000	1000	1000	2000	3000	4000	7000	10,000	12,000
25,000	1000	1000	2000	3000	5000	7000	11,000	13,000
30,000	1000	1000	2000	3000	5000	8000	12,000	14,000
35,000	1000	1000	2000	3000	5000	9000	13,000	15,000
40,000	1000	2000	2000	4000	5000	9000	13,000	15,000
50,000	1000	2000	2000	4000	6000	10000	14,000	17,000
60,000	1000	2000	3000	4000	6000	10000	16,000	18,000
70,000	1000	2000	3000	4000	7000	11000	17,000	19,000
80,000	1000	2000	3000	4000	7000	11000	17,000	20,000
90,000	1000	2000	3000	4000	7000	12000	18,000	21,000
100,000	2000	2000	3000	5000	7000	12,000	19,000	22,000
150,000	2000	3000	4000	6000	8000	14,000	22,000	25,000
200,000	2000	3000	4000	6000	9000	16,000	24,000	28,000

The only controlled copy of this data sheet is the electronic read-only version located on the Eaton network drive. All other copies of this document are by definition uncontrolled. This bulletin is intended to clearly present comprehensive product data and provide technical information that will help the end user with design applications. Eaton reserves the right, without notice, to change design or construction of any products and to discontinue or limit distribution of any products. Eaton also reserves the right to change or update, without notice, any technical information contained in this bulletin. Once a product has been selected, it should be tested by the user in all possible applications.

Eaton
1000 Eaton Boulevard
Cleveland, OH 44122
Eaton.com

Bussmann Division
114 Old State Road
Ellisville, MO 63021
United States
Eaton.com/bussmannseries

© 2016 Eaton
All Rights Reserved
Printed in USA
Publication No. 1029 — BU-SB13737
December 2016

Eaton, Bussmann and Limitron are valuable trademarks of Eaton in the U.S. and other countries. You are not permitted to use the Eaton trademarks without prior written consent of Eaton.

CSA is a registered trademark of the Canadian Standards Group.
NEC is a registered trademark of the National Fire Protection Association, Inc.
UL is a registered trademark of the Underwriters Laboratories, Inc.

For Eaton's Bussmann series product information, call **1-855-287-7626** or visit: **Eaton.com/bussmannseries**

Follow us on social media to get the latest product and support information.

