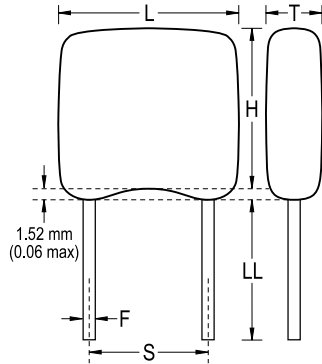


Ceramic, Commercial Grade, GoldMax, 0.033 uF, 10%, 100 V, X7R, Lead Spacing = 2.54mm



Dimensions

L	5.08mm MAX
H	5.84mm MAX
T	3.18mm MAX
S	2.54mm NOM
LL	7mm MIN
F	0.51mm NOM

Packaging Specifications

Packaging:	Bulk, Bag
Packaging Quantity:	500

General Information

Style:	Radial
Series:	GoldMax
Description:	GoldMax, Commercial Standard
RoHS:	Yes
Termination:	Tin
Failure Rate:	N/A

Specifications

Capacitance:	0.033 uF
Capacitance Tolerance:	10%
Voltage DC:	100 VDC
Temperature Range:	-55/+125C
Temperature Coefficient:	X7R
Dissipation Factor:	2.5%
Aging Rate:	3% Loss/Decade Hour
Insulation Resistance:	30.3 GOhms
Dielectric Strength:	250 V