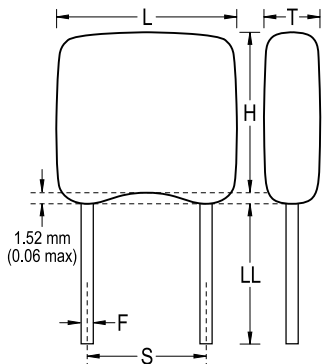


Ceramic, Commercial Grade, GoldMax, 0.47 uF, 20%, 50 V, Z5U, Lead Spacing = 2.54mm



Dimensions

L	5.08mm MAX
H	5.84mm MAX
T	3.18mm MAX
S	2.54mm NOM
LL	7mm MIN
F	0.51mm NOM

Packaging Specifications

Packaging:	Bulk, Bag
Packaging Quantity:	500

General Information

Style:	Radial
Series:	GoldMax
Description:	GoldMax, Commercial Standard
RoHS:	Yes
Termination:	Tin
Failure Rate:	N/A

Specifications

Capacitance:	0.47 uF
Capacitance Tolerance:	20%
Voltage DC:	50 VDC
Temperature Range:	+10/+85C
Temperature Coefficient:	Z5U
Dissipation Factor:	4%
Aging Rate:	7% Loss/Decade Hour
Insulation Resistance:	210 MOhms
Dielectric Strength:	125 V