

## PCB terminal block - FFKDS/V1-5,08 - 1790319

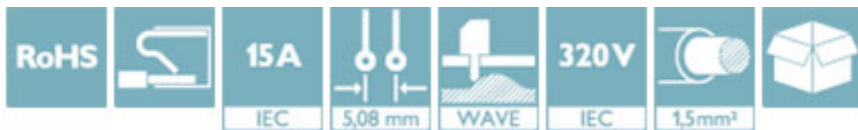
Please be informed that the data shown in this PDF Document is generated from our Online Catalog. Please find the complete data in the user's documentation. Our General Terms of Use for Downloads are valid (<http://phoenixcontact.com/download>)




PCB terminal block, Nominal current: 15 A, Nom. voltage: 320 V, Pitch: 5.08 mm, Number of positions: 1, Connection method: Push-in spring connection, Mounting: Wave soldering, Conductor/PCB connection direction: 90 °, Color: green, The article can be aligned to create different nos. of positions!

### Why buy this product

- ✓ Time saving push-in connection, tools not required
- ✓ Defined contact force ensures that contact remains stable over the long term
- ✓ Intuitive use through colour coded actuation lever
- ✓ Operation and conductor connection from one direction enable integration into front of device
- ✓ Two solder pins reduce the mechanical strain on the soldering spots
- ✓ The latching on the side enables various numbers of positions to be combined
- ✓ Vertical connection enables multi-row arrangement on the PCB



### Key Commercial Data

|                                      |   |
|--------------------------------------|---|
| Packing unit                         | 250 STK   |
| Minimum order quantity               | 250 STK   |
| GTIN                                 | <br>4 017918 044237 |
| GTIN                                 | 4017918044237   |
| Weight per Piece (excluding packing) | 1.020 g   |
| Custom tariff number                 | 85369010  |
| Country of origin                    | Germany   |

### Technical data

#### Dimensions

|                       |          |
|-----------------------|----------|
| Length                | 12.7 mm  |
| Pitch                 | 5.08 mm  |
| Dimension a           | 5.08 mm  |
| Width                 | 12.66 mm |
| Constructional height | 14 mm    |

# PCB terminal block - FFKDS/V1-5,08 - 1790319

## Technical data

### Dimensions

|                          |            |
|--------------------------|------------|
| Height                   | 17.4 mm    |
| Length of the solder pin | 3.4 mm     |
| Pin dimensions           | 0,5 x 1 mm |
| Hole diameter            | 1.3 mm     |

### General

|  |   |
|--|---|
| Range of articles                      | FFKDS(A)/V1   |
| Insulating material group              | I   |
| Rated surge voltage (III/3)            | 4 kV  |
| Rated surge voltage (III/2)            | 4 kV  |
| Rated surge voltage (II/2)             | 4 kV  |
| Rated voltage (III/3)                  | 320 V   |
| Rated voltage (III/2)                  | 320 V   |
| Rated voltage (II/2)                   | 630 V   |
| Connection in acc. with standard       | EN-VDE  |
| Nominal current $I_N$                  | 15 A  |
| Nominal cross section                  | 1.5 mm <sup>2</sup>                                     |
| Maximum load current                   | 15 A (with 1.5 mm <sup>2</sup> conductor cross section) |
| Insulating material                    | PA  |
| Solder pin surface                     | Sn  |
| Flammability rating according to UL 94 | V0  |
| Stripping length                       | 10 mm   |
| Number of positions                    | 1   |

### Connection data

|  |                      |
|--|----------------------|
| Conductor cross section solid min.   | 0.2 mm <sup>2</sup>  |
| Conductor cross section solid max.   | 1.5 mm <sup>2</sup>  |
| Conductor cross section flexible min.                                      | 0.2 mm <sup>2</sup>  |
| Conductor cross section flexible max.                                      | 1.5 mm <sup>2</sup>  |
| Conductor cross section flexible, with ferrule without plastic sleeve min. | 0.25 mm <sup>2</sup> |
| Conductor cross section flexible, with ferrule without plastic sleeve max. | 0.75 mm <sup>2</sup> |
| Conductor cross section flexible, with ferrule with plastic sleeve min.    | 0.25 mm <sup>2</sup> |
| Conductor cross section flexible, with ferrule with plastic sleeve max.    | 0.75 mm <sup>2</sup> |
| Conductor cross section AWG min.   | 24                   |
| Conductor cross section AWG max.   | 16                   |

### Standards and Regulations

|  |        |
|--|--------|
| Connection in acc. with standard       | EN-VDE |
|  | CSA    |
| Flammability rating according to UL 94 | V0     |

### Environmental Product Compliance

|            |   |
|------------|---|
| China RoHS | Environmentally friendly use period: unlimited = EFUP-e |
|------------|---|

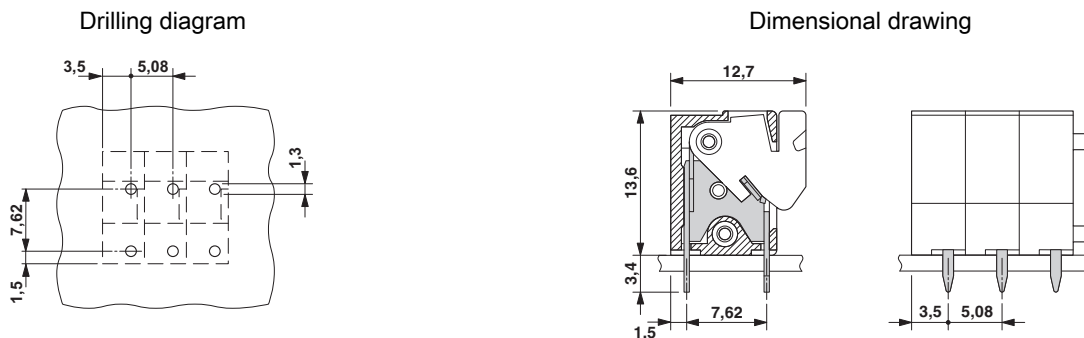
# PCB terminal block - FFKDS/V1-5,08 - 1790319

## Technical data

### Environmental Product Compliance

|  |  |
|--|--|
|  | No hazardous substances above threshold values |
|--|--|

## Drawings



## Classifications

### eCl@ss

|            |          |
|------------|----------|
| eCl@ss 4.0 | 27141109 |
| eCl@ss 4.1 | 27141109 |
| eCl@ss 5.0 | 27141190 |
| eCl@ss 5.1 | 27141190 |
| eCl@ss 6.0 | 27261101 |
| eCl@ss 7.0 | 27440401 |
| eCl@ss 8.0 | 27440401 |
| eCl@ss 9.0 | 27440401 |

### ETIM

|          |          |
|----------|----------|
| ETIM 3.0 | EC001121 |
| ETIM 4.0 | EC002643 |
| ETIM 5.0 | EC002643 |
| ETIM 6.0 | EC002643 |

### UNSPSC

|               |          |
|---------------|----------|
| UNSPSC 6.01   | 30211801 |
| UNSPSC 7.0901 | 39121432 |
| UNSPSC 11     | 39121432 |
| UNSPSC 12.01  | 39121432 |
| UNSPSC 13.2   | 39121432 |

## Approvals

### Approvals

# PCB terminal block - FFKDS/V1-5,08 - 1790319

## Approvals

### Approvals

CSA / UL Recognized / KEMA-KEUR / cUL Recognized / CCA / IECEE CB Scheme / EAC / cULus Recognized

### Ex Approvals

### Approval details

|                                |  |   |       |
|--------------------------------|--|---|-------|
| CSA                            |  | <a href="http://www.csagroup.org/services/testing-and-certification/certified-product-listing/">http://www.csagroup.org/services/testing-and-certification/certified-product-listing/</a> | 13631 |
|                                |  | B   | D     |
| mm <sup>2</sup> /AWG/kcmil     |  | 16  | 16    |
| Nominal current I <sub>N</sub> |  | 10 A  | 10 A  |
| Nominal voltage U <sub>N</sub> |  | 300 V   | 300 V |

|                                |  |   |              |
|--------------------------------|--|---|--------------|
| UL Recognized                  |  | <a href="http://database.ul.com/cgi-bin/XYV/template/LISEXT/1FRAME/index.htm">http://database.ul.com/cgi-bin/XYV/template/LISEXT/1FRAME/index.htm</a> | FILE E 60425 |
|                                |  | B   | D            |
| mm <sup>2</sup> /AWG/kcmil     |  | 22-16   | 22-16        |
| Nominal current I <sub>N</sub> |  | 10 A  | 10 A         |
| Nominal voltage U <sub>N</sub> |  | 300 V   | 300 V        |

|                                |  |   |            |
|--------------------------------|--|---|------------|
| KEMA-KEUR                      |  | <a href="http://www.dekra-certification.com">http://www.dekra-certification.com</a> | 2160724.01 |
|                                |  |   |            |
| mm <sup>2</sup> /AWG/kcmil     |  | 1.5   |            |
| Nominal voltage U <sub>N</sub> |  | 250 V   |            |

|                                |  |   |              |
|--------------------------------|--|---|--------------|
| cUL Recognized                 |  | <a href="http://database.ul.com/cgi-bin/XYV/template/LISEXT/1FRAME/index.htm">http://database.ul.com/cgi-bin/XYV/template/LISEXT/1FRAME/index.htm</a> | FILE E 60425 |
|                                |  | B   | D            |
| mm <sup>2</sup> /AWG/kcmil     |  | 22-16   | 22-16        |
| Nominal current I <sub>N</sub> |  | 10 A  | 10 A         |
| Nominal voltage U <sub>N</sub> |  | 300 V   | 300 V        |

|                            |  |     |             |
|----------------------------|--|-----|-------------|
| CCA                        |  |     | NTR NL-7074 |
|                            |  |     |             |
| mm <sup>2</sup> /AWG/kcmil |  | 1.5 |             |

## PCB terminal block - FFKDS/V1-5,08 - 1790319

### Approvals

|                    |       |
|--------------------|-------|
| Nominal voltage UN | 250 V |
|--------------------|-------|

|                    |                     |   |          |
|--------------------|---------------------|---|----------|
| IECEE CB Scheme    | <b>CB</b><br>scheme | <a href="http://www.iecee.org/">http://www.iecee.org/</a> | NL-25836 |
| mm²/AWG/kcmil      | 1.5                 |   |          |
| Nominal voltage UN | 250 V               |   |          |

|     |            |         |
|-----|------------|---------|
| EAC | <b>EAC</b> | B.01742 |
|-----|------------|---------|

|                  |              |   |
|------------------|--------------|---|
| cULus Recognized | <b>cULus</b> | <a href="http://database.ul.com/cgi-bin/XYV/template/LISEXT/1FRAME/index.htm">http://database.ul.com/cgi-bin/XYV/template/LISEXT/1FRAME/index.htm</a> |
|------------------|--------------|---|

### Accessories

#### Accessories

#### Labeled terminal marker

Marker card - SK 5,08/3,8:FORTL.ZAHLEN - 0804293



Marker card, Card, white, labeled, Horizontal: Consecutive numbers 1 - 10, 11 - 20, etc. up to 91 - (99)100, Mounting type: Adhesive, for terminal block width: 5.08 mm, Lettering field: 5.08 x 3.8 mm

#### Screwdriver tools

Screwdriver - SZF 1-0,6X3,5 - 1204517



Actuation tool, for ST terminal blocks, also suitable for use as a bladed screwdriver, size: 0.6 x 3.5 x 100 mm, 2-component grip, with non-slip grip

#### Necessary add-on products

## PCB terminal block - FFKDS/V1-5,08 - 1790319

### Accessories

PCB terminal block - FFKDSA1/V1-7,62 - 1790490



PCB terminal block, Nominal current: 17.5 A, Nom. voltage: 630 V, Pitch: 7.62 mm, Number of positions: 1, Connection method: Push-in spring connection, Mounting: Wave soldering, Conductor/PCB connection direction: 90 °, Color: green, The article can be aligned to create different nos. of positions!