

Housing screw connection - SACC-BP-F-M12/M15-6-THR - 1414004

Please be informed that the data shown in this PDF Document is generated from our Online Catalog. Please find the complete data in the user's documentation. Our General Terms of Use for Downloads are valid (<http://phoenixcontact.com/download>)



Housing screw connection, SocketLink:M12, Rear mounting, M15 x 1

Why buy this product

- Easy device integration, thanks to mechanical port screw connections with threaded fastening
- Flexible PCB assembly: two-piece connectors for wave and THR soldering

Key Commercial Data

Packing unit	20 STK
Minimum order quantity	20 STK
GTIN	
GTIN	4055626022611
Weight per Piece (excluding packing)	10.270 g
Custom tariff number	79070000
Country of origin	Germany

Technical data

Ambient conditions

Ambient temperature (operation)	-25 °C ... 85 °C (Plug / socket)
	-40 °C ... 85 °C (without mechanical actuation)
Degree of protection	IP67 (correctly plugged in and locked)

General

Note	The electrical and mechanical data specified assume that the connector pair is correctly locked and mounted. If the connector is unlocked and if there is a danger of contamination, the connector must be sealed using a protective cap > IP54. Influences arising from litz wires, cables or PCB assembly must also be taken into consideration.
Standards/regulations	M12 connector IEC 61076-2-101 In line with
Insertion/withdrawal cycles	> 100

Housing screw connection - SACC-BP-F-M12/M15-6-THR - 1414004

Technical data

General

Torque	1.5 Nm ... 2 Nm (Installation-side)
Mounting type	Rear mounting M15 x 1 Spacing between the top edge of the PCB and the back of the front plate: 6 mm

Material

Material, knurls	Zinc die-cast, nickel-plated
Material	Zinc die-cast (nickel-plated)
Sealing material	FKM (O-ring on housing)
	FKM (O-ring (pin connector pattern))
Additional material specifications	Brass, nickel-plated (Locking nut)

Cable

Standards/specifications	M12 connector IEC 61076-2-101 In line with
--------------------------	--

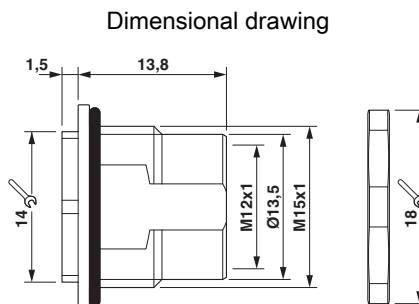
Standards and Regulations

Standard designation	M12 connector
Standards/regulations	IEC 61076-2-101

Environmental Product Compliance

China RoHS	Environmentally Friendly Use Period = 50
	For details about hazardous substances go to tab "Downloads", Category "Manufacturer's declaration"

Drawings



Classifications

eCl@ss

eCl@ss 5.1	27143423
eCl@ss 6.0	27143423
eCl@ss 8.0	23100602
eCl@ss 9.0	23100602

ETIM

ETIM 4.0	EC001855
ETIM 5.0	EC002350

Housing screw connection - SACC-BP-F-M12/M15-6-THR - 1414004

Classifications

ETIM

ETIM 6.0	EC002350
----------	----------

UNSPSC

UNSPSC 13.2	31171603
-------------	----------

Approvals

Approvals

Approvals

EAC

Ex Approvals

Approval details

EAC		B.01742
-----	--	---------

Accessories

Accessories

Panel mounting base

Sample set - SACC-BP-F-M12/M15-6-THR SP - 1421801



Sample set, SocketLink:M12, Rear mounting, M15 x 1