

60mm sq.

San Ace 60



General Specifications

- Material Frame: Plastics (Flammability: UL94V-0),
Impeller: Plastics (Flammability: UL94V-1)
- Expected Life Refer to specifications (L10:Survival rate:90% at 60°C ,
rated voltage, and continuously run in a free air state)
- Lead Wire ⊕red ⊖black (Sensor) yellow (Control) brown
- Storage Temperature -30°C to +70°C (Non-condensing)

60×60×38mm (Mass : 130g) 9GV type



Specifications The following nos. **have PWM controls, pulse sensors, and ribs.** For ribless, append "1" to the model no.

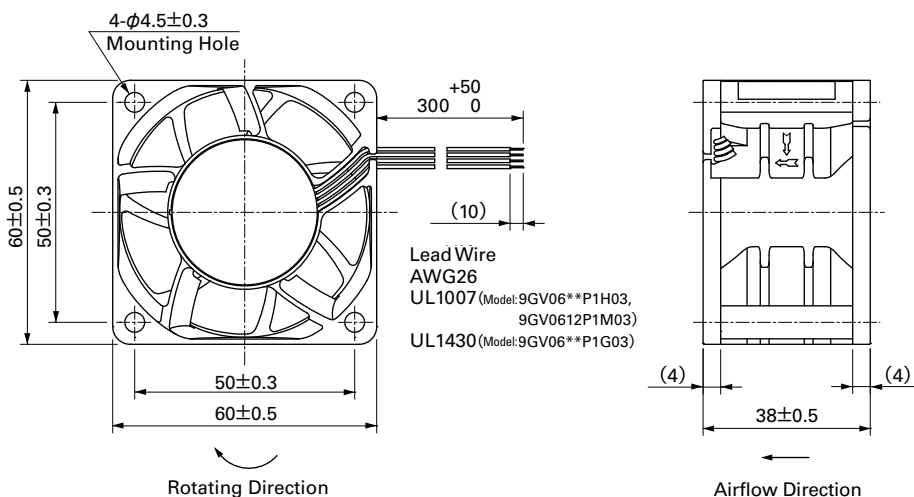
Model No.	Rated Voltage [V]	Operating Voltage Range [V]	PWM duty cycle※ [%]	Rated Current [A]	Rated Input [W]	Rated Speed [min ⁻¹]	Max. Airflow [m ³ /min] [CFM]	Max. Static Pressure [Pa] [InchH ₂ O]	SPL [dB(A)]	Operating Temperature Range [°C]	Expected Life [h]
9GV0612P1G03	12	8.0 to 13.8	100	2.8	33.6	16,000	2.37 84	751 3.02	66	-20 to +70	40,000/60°C
			0	0.12	1.5	3,100	0.44 15	26 0.10	25		
100			2.0	24.0	14,500	2.15 76	617 2.48	63			
0			0.1	1.2	2,700	0.40 14	21 0.09	22			
9GV0612P1H03		10.8 to 13.8	100	1.5	18.0	13,000	1.93 68	496 1.99	60		
0			0.08	1.0	2,500	0.38 13	18 0.07	19			
9GV0612P1M03	24	20.4 to 27.6	100	0.7	8.4	10,000	1.49 52.6	293 1.17	52		
9GV0612P1L01 (Note)			100	1.4	33.6	16,000	2.37 84	751 3.02	66		
9GV0624P1G03	0		0.12	2.88	6,000	0.89 31	105 0.42	38			
9GV0624P1M03 (Note)	100		0.73	17.52	13,000	1.93 68.0	496 1.99	60			
9GV0648P1H03	48	38 to 57	100	0.5	24	14,500	2.15 76	617 2.48	63		
			0	0.08	3.84	6,000	0.89 31	105 0.42	38		

Note : Fan does not rotate when PWM duty cycle is 0%.

※PWM Frequency : 25kHz

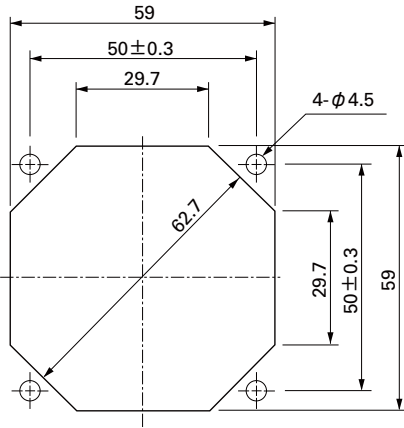
Models without sensors, or with pulse sensors (no PWM control function), or lock sensors are available as options. Please refer to the index (p. 477).

Dimensions (unit: mm) (With ribs)



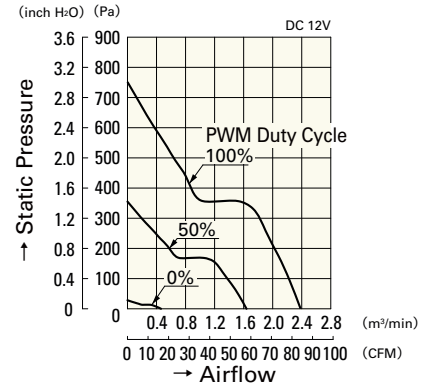
Reference Dimensions of Mounting Holes and Vent Opening (unit: mm)

Inlet side, Outlet side



Airflow - Static Pressure Characteristics

PWM Duty Cycle



9GV0612P1G03

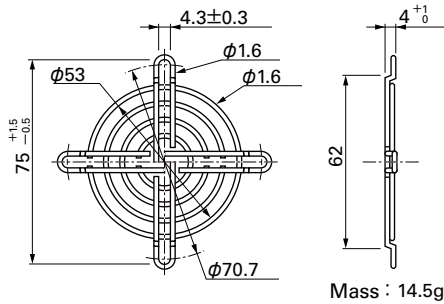
Options (unit: mm)

Finger Guards

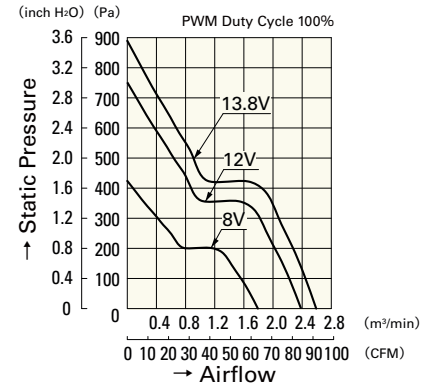
Model : 109-139E Surface treatment : Nickel-chrome plating (silver)
 : 109-139H : Cation electropainting (black)

Color

Inlet side, Outlet side



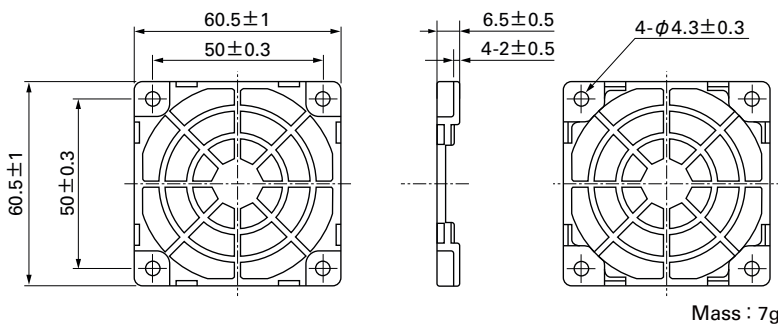
Operating Voltage Range



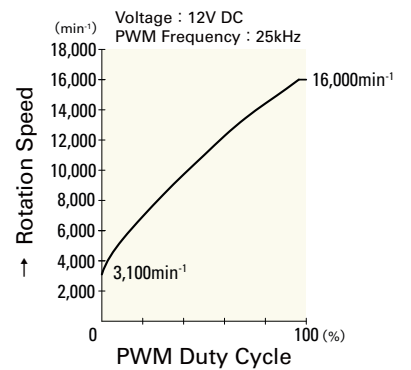
9GV0612P1G03

Resin Finger Guards

Model : 109-1003G



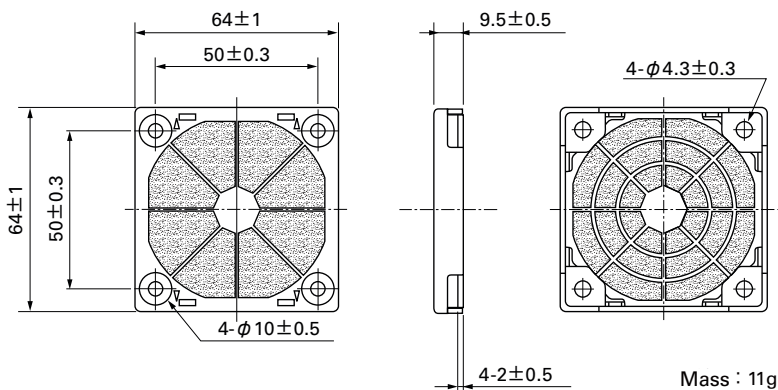
PWM Duty - Speed Characteristics Example



9GV0612P1G03

Resin Filter Kits

Model : 109-1003F13 (13PPI), 109-1003F20 (20PPI)
 : 109-1003F30 (30PPI), 109-1003F40 (40PPI)



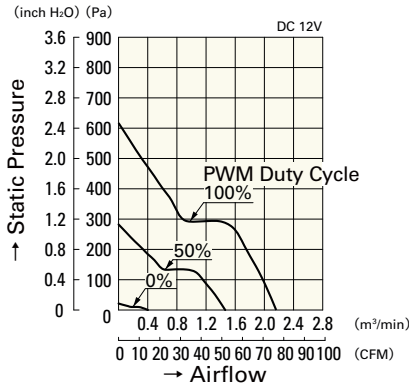
60mm sq.

San Ace 60

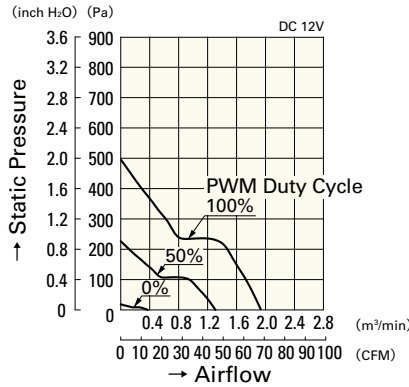
60×60×38mm [Mass : 130g]

Airflow - Static Pressure Characteristics

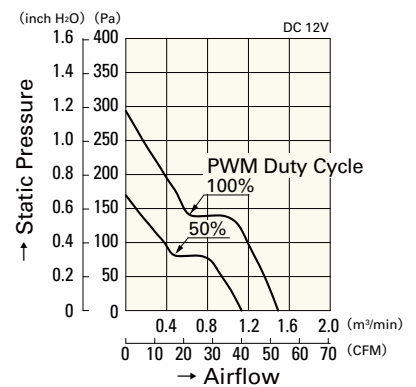
PWM Duty Cycle



9GV0612P1H03

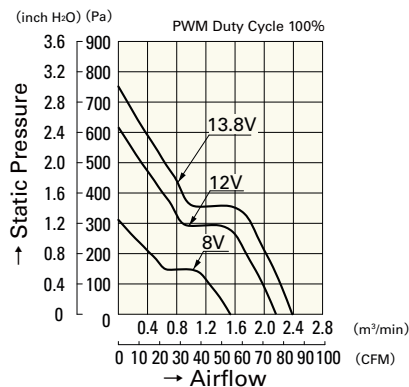


9GV0612P1M03

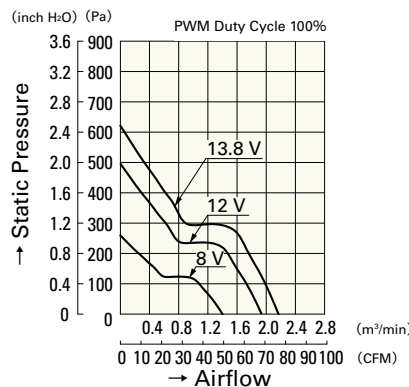


9GV0612P1L01

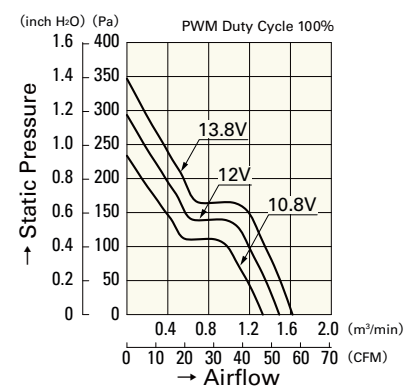
Operating Voltage Range



9GV0612P1H03

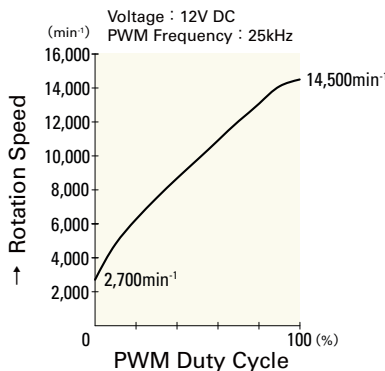


9GV0612P1M03

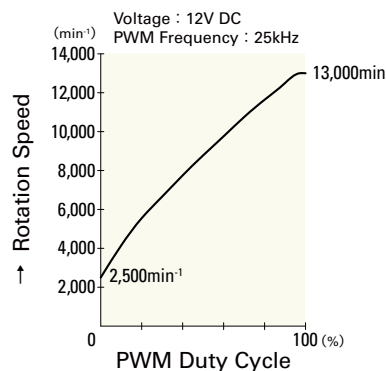


9GV0612P1L01

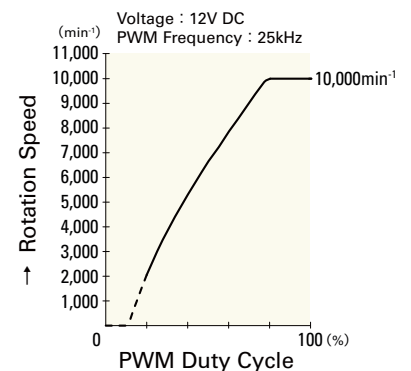
PWM Duty - Speed Characteristics Example



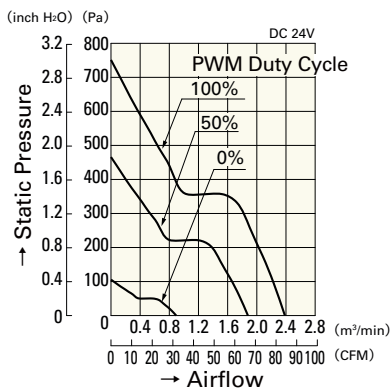
9GV0612P1H03



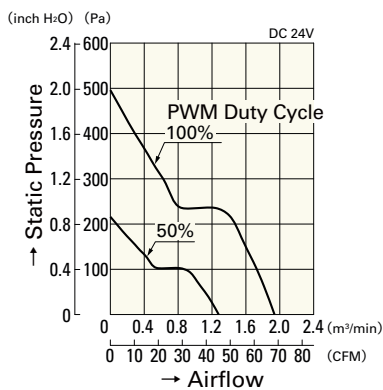
9GV0612P1M03



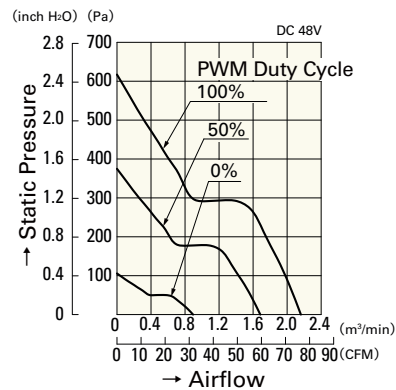
9GV0612P1L01



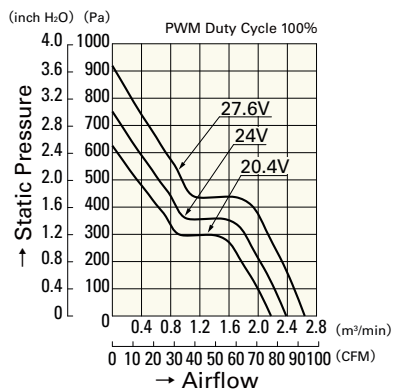
9GV0624P1G03



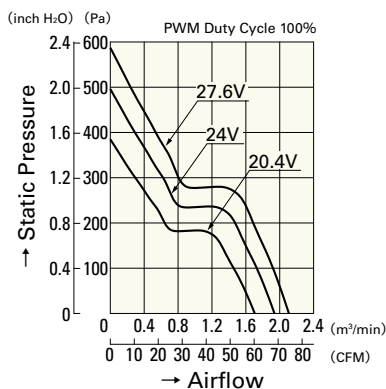
9GV0624P1M03



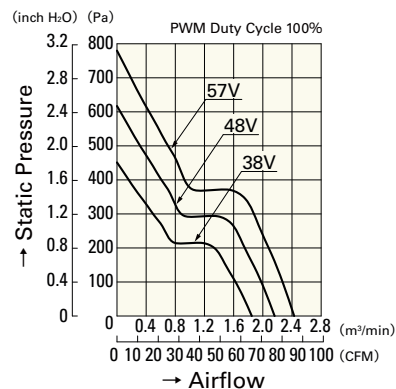
9GV0648P1H03



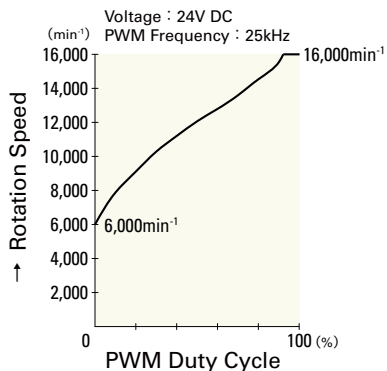
9GV0624P1G03



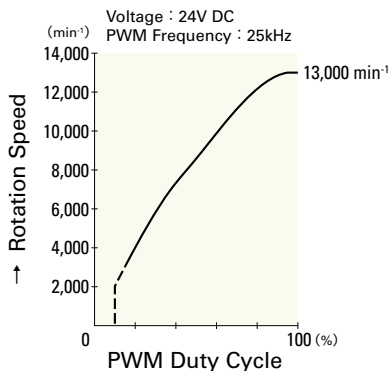
9GV0624P1M03



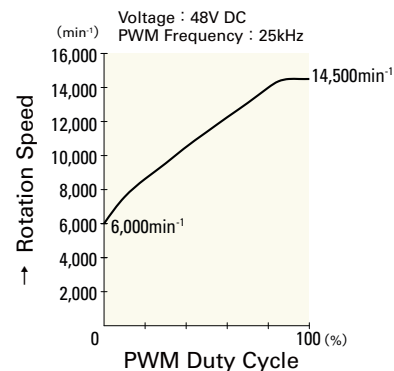
9GV0648P1H03



9GV0624P1G03



9GV0624P1M03



9GV0648P1H03