

40mm sq.

San Ace 40L



General Specifications

- Material Frame: Aluminum, Impeller: Plastics (Flammability: UL94V-0)
- Expected Life Refer to specifications (L10:Survival rate: 90% at 60°C ,
rated voltage, and continuously run in a free air state)
- Lead Wire ⊕red ⊖black (Sensor) yellow
- Storage Temperature -30°C to +70°C (Non-condensing)

40×40×28mm (Mass : 55g) **9L type**

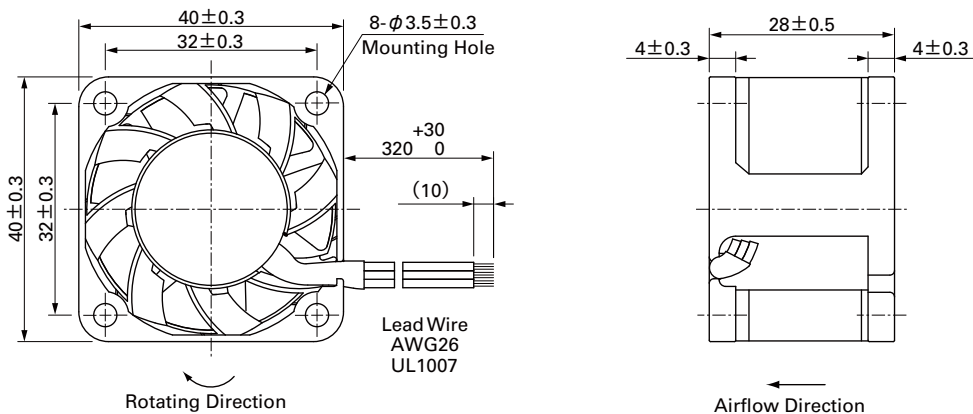
Specifications

The following nos. **have pulse sensors.**

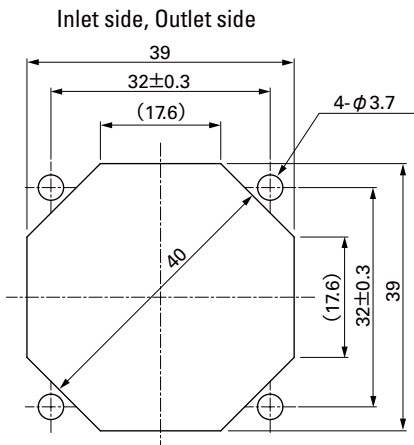
Model No.	Rated Voltage [V]	Operating Voltage Range [V]	Rated Current [A]	Rated Input [W]	Rated Speed [min ⁻¹]	Max. Airflow [m ³ /min] [CFM]	Max. Static Pressure [Pa] [inchH ₂ O]	SPL [dB(A)]	Operating Temperature [°C]	Expected Life [h]
9L0412J301	12	10.2 to 13.8	0.31	3.72	11,700	0.52 18.4	206 0.827	48	-20 to +70	100,000/60°C
9L0412H301			0.15	1.80	8,400	0.37 13.1	106 0.426	40		
9L0412M301			0.045	0.54	4,000	0.16 5.65	24 0.096	19		

Models without sensors or with lock sensors are available as options. Please refer to the index (p. 478).

Dimensions (unit: mm)



Reference Dimensions of Mounting Holes and Vent Opening (unit: mm)

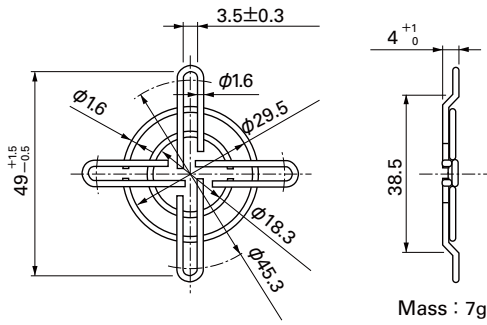


Options (unit: mm)

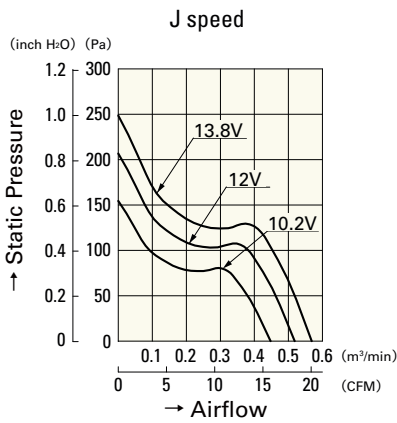
Finger Guards

Color
 Model : 109-059 Surface treatment : Nickel-chrome plating (silver)
 : 109-059H : Cation electropainting (black)

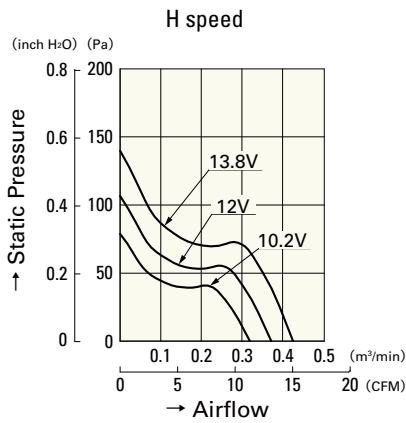
Inlet side, Outlet side



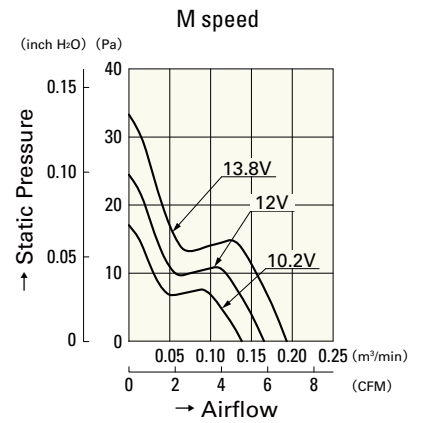
Airflow - Static Pressure Characteristics



9L0412J301



9L0412H301



9L0412M301

DC

Long Life Fan 40mm