

XUVA1515PANM8

photo-electric sensor - XUV - fork - 150mm -
12..24VDC - M8



Main

Range of product	OsiSense XU
Series name	General purpose
Electronic sensor type	Photo-electric sensor
Sensor name	XUVA
Sensor design	Fork L
Detection system	Thru beam
Emission	Red LED, modulated
Passage width	150 mm
Passage depth	150 mm
Material	Metal/Plastic
Supply circuit type	DC
Wiring technique	3-wire
Discrete output type	PNP
Discrete output function	1 NO
Electrical connection	1 male connector M8, 3 pins
Product specific application	Detection on small conveyor
[Sn] nominal sensing distance	180 mm

Buy online

Complementary

Enclosure material	Painted aluminium and polyamide/glass
Spot diameter	1.2 mm
Type of output signal	Discrete
Output type	Solid state
Status LED	1 LED (yellow) for output state
[Us] rated supply voltage	12...24 V DC with reverse polarity protection
Supply voltage limits	10...30 V DC
Switching capacity in mA	100 mA (overload and short-circuit protection)
Switching frequency	4000 Hz
Voltage drop	<= 1.5 V (closed state)
Current consumption	< 20 mA (no-load)
Product weight	0.08...0.19 kg

Environment

Product certifications	CE
Ambient air temperature for operation	-10...60 °C
Ambient air temperature for storage	-40...80 °C
Immunity to ambient light	10000 lux with natural light 5000 lux with incandescent bulb
Vibration resistance	7 gn, amplitude = +/- 0.75 mm (f = 10...55 Hz) conforming to IEC 60068-2-6
Shock resistance	30 gn (duration = 11 ms) conforming to IEC 60068-2-27
IP degree of protection	IP65 IP67

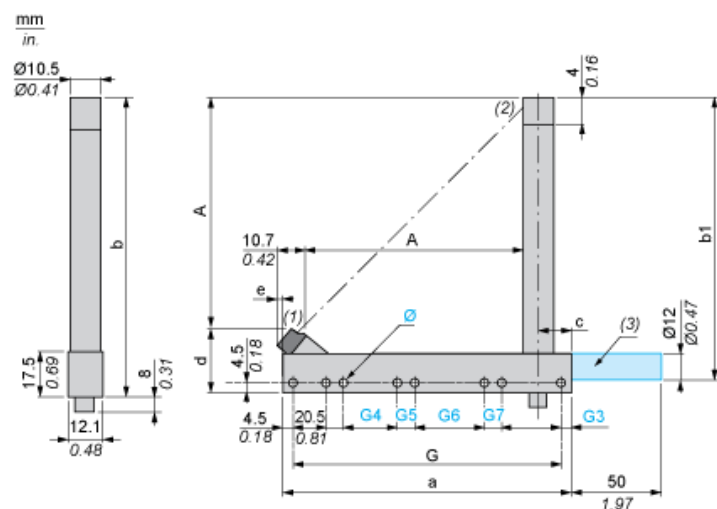
Offer Sustainability

Sustainable offer status	Not Green Premium product
RoHS (date code: YYWW)	Will be compliant on 4Q2014

Contractual warranty

Warranty period	18 months
-----------------	-----------

Dimensions



- (1) Transmission LED
- (2) Yellow LED: output signal
- (3) Optional fixing rod available on request. Please consult our Customer Care Centre

Dimensions in mm

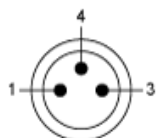
Depth A	a	b	b1	G	G3	∅	G4	G5	G6	G7	c
142.3	175	184	176	166	4.5	8 x 4.3	24	8	60	8	19.75

Dimensions in in.

Depth A	a	b	b1	G	G3	∅	G4	G5	G6	G7	c
5.60	6.89	7.24	6.93	6.54	0.18	0.31 x 0.17	0.94	0.31	2.36	0.31	0.78

Wiring Schemes

M8 Connector



- 1 : BN: Brown
- 3 : BU: Blue
- 4 : BK: Black

PNP Output

