



## Main

|                               |  |
|-------------------------------|--|
| Range of product              | OsiSense XU  |
| Series name                   | Application  |
| Electronic sensor type        | Photo-electric sensor  |
| Sensor name                   | XUY  |
| Sensor design                 | Fork   |
| Detection system              | Thru beam  |
| Emission                      | Infrared LED, modulated  |
| Passage width                 | 5 mm   |
| Passage depth                 | 95 mm  |
| Material                      | Metal/Plastic  |
| Supply circuit type           | DC   |
| Wiring technique              | 4-wire   |
| Discrete output type          | PNP and NPN  |
| Discrete output function      | 1 NO or 1 NC programmable  |
| Electrical connection         | 1 male connector M8, 4 pins  |
| Product specific application  | Detection of double sheet<br>Detection of labels<br>Detection of reference marks<br>Detection on vibrating rail<br>Detection on small conveyor |
| [Sn] nominal sensing distance | 5 mm   |

## Buy online

## Complementary

|                                       |   |
|---------------------------------------|---|
| Enclosure material                    | Painted aluminium and polyamide/glass   |
| Keypad type                           | Yellow  |
| Minimum object diameter for detection | 0.2 mm  |
| Type of output signal                 | Discrete  |
| Output type                           | Solid state   |
| Status LED                            | 1 LED (red) for adjustment mode and keypad locking<br>1 LED (yellow) for output state |
| [Us] rated supply voltage             | 12...24 V DC with reverse polarity protection   |
| Supply voltage limits                 | 10...30 V DC  |
| Switching capacity in mA              | 100 mA (overload and short-circuit protection)  |
| Switching frequency                   | 10 kHz  |
| Voltage drop                          | < 2 V (closed state)  |
| Current consumption                   | 40 mA (no-load)   |
| Load capacitance                      | 330 nF  |
| Delay response                        | -20...20 µs   |
| Setting-up                            | Self teaching   |
| Product weight                        | 0.055...0.128 kg  |

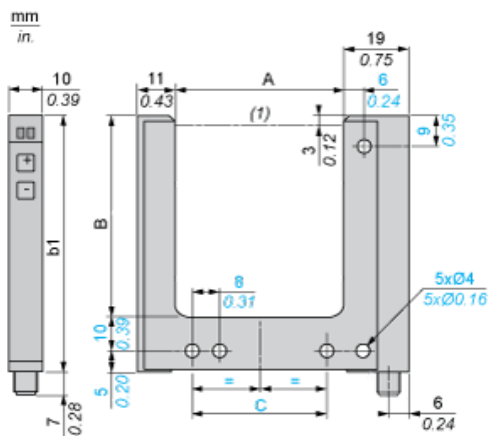
## Environment

|                                       |  |
|---------------------------------------|--|
| Product certifications                | CE<br>CULus  |
| Ambient air temperature for operation | -20...60 °C  |
| Ambient air temperature for storage   | -30...80 °C  |
| Immunity to ambient light             | 10000 lux with natural light<br>5000 lux with incandescent bulb            |
| Vibration resistance                  | 7 gn, amplitude = +/- 0.75 mm (f = 10...55 Hz) conforming to IEC 60068-2-6 |
| Shock resistance                      | 30 gn (duration = 11 ms) conforming to IEC 60068-2-27                      |
| IP degree of protection               | IP65 conforming to IEC 60529   |

## Contractual warranty

|                 |           |
|-----------------|-----------|
| Warranty period | 18 months |
|-----------------|-----------|

Dimensions



(1) Optical axis

Dimensions in mm

| A | B  | b1  | C  |
|---|----|-----|----|
| 5 | 95 | 110 | 14 |

Dimensions in in.

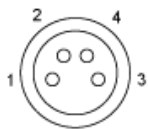
| A    | B    | b1   | C    |
|------|------|------|------|
| 0.20 | 3.74 | 4.33 | 0.55 |

---

Wiring Schemes

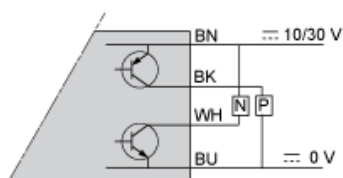
---

M8 Connector



- 1 : BN: Brown
- 2 : WH: White
- 3 : BU: Blue
- 4 : BK: Black

4-Wire, PNP/NPN Outputs



- BN : Brown
- WH : White
- BK : Black
- BU : Blue