



Main

Range of product	OsiSense XU
Series name	Application packaging
Electronic sensor type	Photo-electric sensor
Sensor name	XUK
Sensor design	Compact 50 x 50
Detection system	Diffuse
Emission	White LED
[Sn] nominal sensing distance	19 mm spot Ø 3.5 mm
Material	Plastic
Switching frequency	<= 5 kHz
Type of output signal	Discrete
Supply circuit type	DC
Wiring technique	3-wire
Discrete output type	NPN
Discrete output function	1 NO or 1 NC programmable
Electrical connection	1 male connector M12 adjustable through 90°, 4 pins
Product specific application	Colour mark
Sale per indivisible quantity	1

Buy online

Complementary

Enclosure material	ABS
Lens material	Glass
Resolution	0.5 mm
Depth of field	+/- 2 mm
Passing speed of object	2.5 m/s, minimum detected mark width:1 mm
Output type	Solid state
Output function governance	Light or dark teaching
Add on output	Without
Add on input	Remote teaching
Status LED	1 LED (green) for stability 1 LED (green/red (flashing)) for error 1 LED (yellow) for output state
[Us] rated supply voltage	12...24 V DC
Supply voltage limits	DC
Switching capacity in mA	<= 100 mA (reverse polarity, overload and short-circuit protection)
Voltage drop	<= 2 V (closed state)
Current consumption	<= 30 mA (no-load)
Delay response	<= 0.1 ms
Delay recovery	<= 0.1 ms
Setting-up	Sensitivity adjustment with teach mode
Depth	50 mm
Height	50 mm

Width	15 mm
Product weight	0.045 kg

Environment

Product certifications	CE CULus
Ambient air temperature for operation	-10...55 °C
Ambient air temperature for storage	-20...70 °C
Vibration resistance	+/-0.5 mm (f = 10...55 Hz) conforming to IEC 60068-2-6
Shock resistance	30 gn (duration = 11 ms) (6 shocks on each axis) conforming to IEC 60068-2-27
IP degree of protection	IP65 conforming to IEC 60529

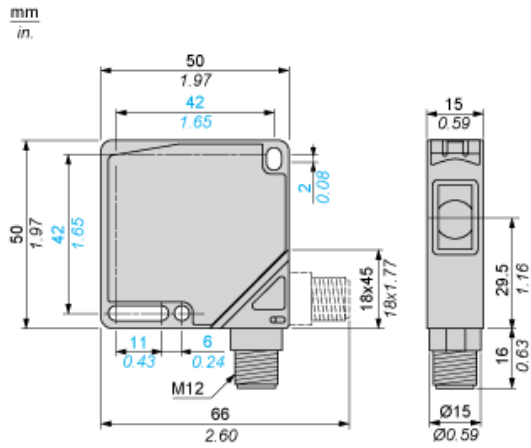
Offer Sustainability

Sustainable offer status	Green Premium product
RoHS (date code: YYWW)	Compliant - since 0623 - Schneider Electric declaration of conformity Schneider Electric declaration of conformity
REACH	Reference not containing SVHC above the threshold

Contractual warranty

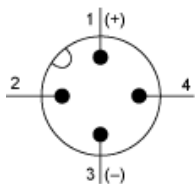
Warranty period	18 months
-----------------	-----------

Dimensions



Wiring Schemes

Connector Scheme



1/ 10...30 VDC

Brown :

2/ Adjustment input

White :

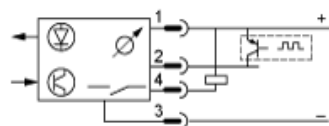
3/ 0 V

Blue :

4/ Output

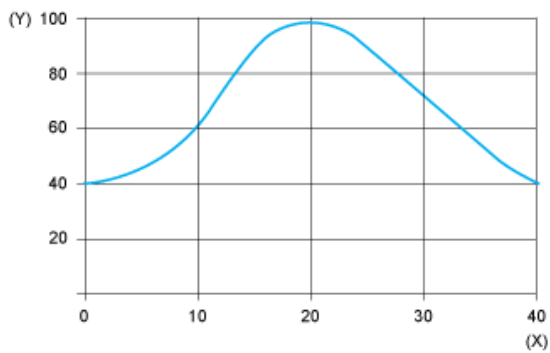
Black :

NPN Output



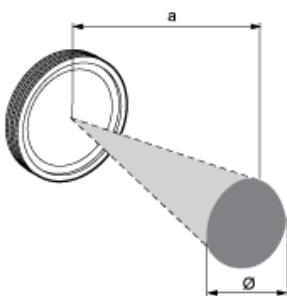
Curves

Detection Curve



(y) % of signal
(x) Detection distance (mm)

Detection Zone and Spot Size



a (mm)	Ø (mm)
19	3.5