


MCOB11605AV-EGP	1 x 16	Euro/Jap/Cyrillic	OLED Module
<b>Specification</b>			
Version: 1		Date: 16/05/2017	
<b>Revision</b>			

Display Features					
Character Count	1 x 16			Box Quantity	Weight / Display
Appearance	Green on Black				
Logic Voltage	5V				
Interface	Parallel				
Font Set	English / European / Cyrillic				
Character Height	6.35 mm				
Module Size	80.00 x 36.00 x 10.00 mm				
Operating Temperature	-40°C ~ +80°C				
Construction	COB				

\* - For full design functionality, please use this specification in conjunction with the MS0010 specification. (Provided Separately)

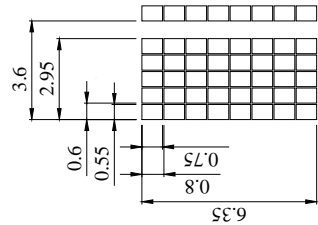
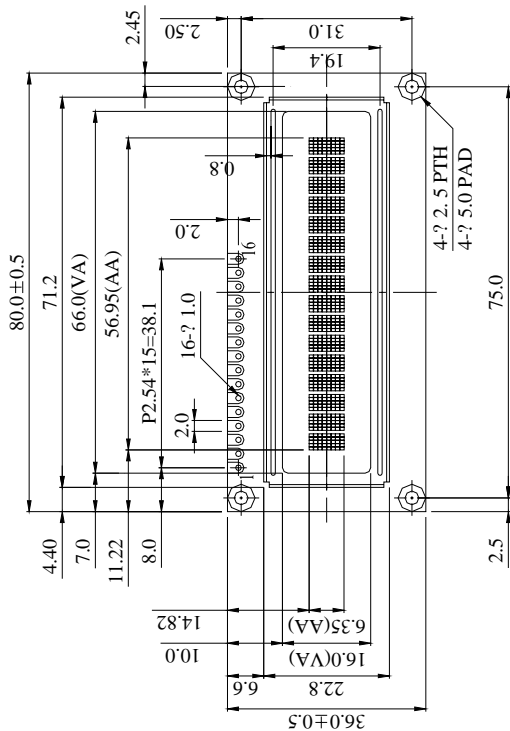
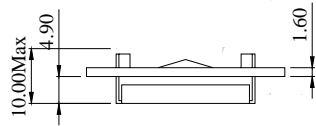
Display Accessories	
Part Number	Description
MCCMDB-16SIL	LCD Interconnect board, can be driven from either a PC or a single Board computer with a USB output.
MCCBL1A16SILP-DILS-150	16 Way, Single in-line to Dual in-line connector cable.
MCCBL1A16SILP-SILS-150	16 Way, Single in-line to single in-line connector cable.

Optional Variants	
Appearance	Voltage
Yellow on Black	
White on Black	
Blue on Black	
Red on Black	

# Mechanical Specifications

Module Size	80.00 x 36.00 x 10.00 ( With Backlight)				W x H x D mm
Viewing Area	66.00 x 16.00	W x H mm	Hole-to-Hole	75.00 x 31.00	W x H mm
Character Size	2.95 x 6.35	W x H mm	Character Pitch	3.60 x 6.35	W x H mm
Dot Size	0.55 x 0.75	W x H mm	Dot Pitch	0.60 x 0.80	W x H mm

PIN NO.	SYMBOL
1	V <sub>SS</sub>
2	V <sub>DD</sub>
3	NC
4	RS
5	R/W
6	E
7	DB0
8	DB1
9	DB2
10	DB3
11	DB4
12	DB5
13	DB6
14	DB7
15	NC
16	NC



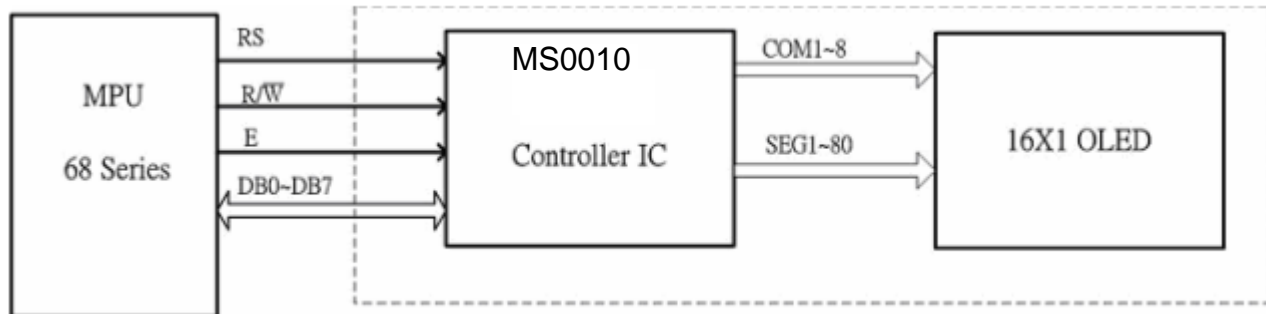
The non-specified tolerance of dimension is  $\pm 0.3$  mm .

DOT SIZE  
SCALE 5/1

MCOB11605AV-EGP	1 x 16	Euro/Jap/Cyrillic	OLED Module
Version: 1		Date: 16/05/2017	
<b>Specification</b>			
<b>Revision</b>			

## Pin layout

Pin	Symbol	Description	Remarks
1	VSS	Ground	
2	VDD	Supply Voltage for Logic	5V
3	NC	No Connection	
4	RS	H: Data L: Instruction Code	H/L
5	R/W	H: Read(MPU-->Module) L: Write(MPU-->Module)	H/L
6	E	Chip Enable Signal	H, H -->L
7	DB0	Data Bus Line	H/L
8	DB1	Data Bus Line	H/L
9	DB2	Data Bus Line	H/L
10	DB3	Data Bus Line	H/L
11	DB4	Data Bus Line	H/L
12	DB5	Data Bus Line	H/L
13	DB6	Data Bus Line	H/L
14	DB7	Data Bus Line	H/L
15	NC	No Connection	
16	NC	No Connection	



Address Format	DB7	DB6	DB5	DB4	DB3	DB2	DB1	DB0
CA (Character Address)	1	ADD6	ADD5	ADD4	ADD3	ADD2	ADD1	ADD0

1	2	3	4	.....	.....	13	14	15	16
CA=10000000b	CA=10000001b	CA=10000010b	CA=10000011b	.....	.....	CA=10001100b	CA=10001101b	CA=10001110b	CA=10001111b

MCOB11605AV-EGP	1 x 16	Euro/Jap/Cyrillic	OLED Module
<b>Specification</b>			
Version: 1		Date: 16/05/2017	
<b>Revision</b>			

# Font Map

Upper 4bit Lower 4bit	LLLL	LLLH	LLHL	LLHH	LHLL	LHLH	LHHL	LHHH	HLLL	HLLH	HLHL	HLHH	HHLL	HHLH	HHHL	HHHH
LLLL	CG RAM (1)															
LLLH	(2)															
LLHL	(3)															
LLHH	(4)															
LHLL	(5)															
LHLH	(6)															
LHHL	(7)															
LHHH	(8)															
HLLL	(1)															
HLLH	(2)															
HLHL	(3)															
HLHH	(4)															
HHLL	(5)															
HHLH	(6)															
HHHL	(7)															
HHHH	(8)															

MCOB11605AV-EGP	1 x 16	Euro/Jap/Cyrillic	OLED Module
<b>Specification</b>			
Version: 1		Date: 16/05/2017	
<b>Revision</b>			

Upper 4bit Lower 4bit	LLLL	LLH	LLHL	LLHH	LHLL	LHLH	LHHL	LHHH	HLLL	HLLH	HLHL	HLHH	HHLL	HHLH	HHHL	HHHH
LLLL	CG RAM (1)															
LLH	(2)															
LLHL	(3)															
LLHH	(4)															
LHLL	(5)															
LHLH	(6)															
LHHL	(7)															
LHHH	(8)															
HLLL	(1)															
HLLH	(2)															
HLHL	(3)															
HLHH	(4)															
HHLL	(5)															
HHLH	(6)															
HHHL	(7)															
HHHH	(8)															

MCOB11605AV-EGP	1 x 16	Euro/Jap/Cyrillic	OLED Module
<b>Specification</b>			
Version: 1		Date: 16/05/2017	
<b>Revision</b>			

Upper 4bit Lower 4bit	LLLL	LLHH	LLHL	LLHH	LHLL	LHLH	LHHL	LHHH	HLLL	HLLH	HLHL	HLHH	HHLL	HHLH	HHHL	HHHH
LLLL	CG RAM (1)															
LLLH	(2)															
LLHL	(3)															
LLHH	(4)															
LHLL	(5)															
LHLH	(6)															
LHHL	(7)															
LHHH	(8)															
HLLL	(1)															
HLLH	(2)															
HLHL	(3)															
HLHH	(4)															
HHLL	(5)															
HHLH	(6)															
HHHL	(7)															
HHHH	(8)															

MCOB11605AV-EGP	1 x 16	Euro/Jap/Cyrillic	OLED Module
Version: 1		Date: 16/05/2017	
<b>Specification</b>			
<b>Revision</b>			

Absolute Maximums Ratings					
Item	Symbol	Minimum	Typical	Maximum	Unit
Input Voltage	VI	-0.30	---	VDD	V
Supply Voltage for Logic	V0	-0.30	---	5.30	V
Operating Temperature	Vopr	-40	---	80	°C
Storage Temperature	Vstg	-40	---	80	°C

Electronic Characteristics						
Item	Symbol	Condition	Minimum	Typical	Maximum	Unit
Input High Voltage	VIH	---	0.80	---	VDD	V
Input Low Voltage	VIL	---	GND	---	0.20	V
Output High Voltage	VOH	IOH=-0.5mA	0.80	---	VDD	V
Output Low Voltage	VOL	IOL=0.5mA	GND	---	0.20	V
Supply Voltage for Logic	VDD~VSS	---	4.80	5.00	5.30	V
50% Checkboard Operating Current.	IDD	VDD=5V	16	18	22	mA

OLED Characteristics						
Item	Symbol	Condition	Minimum	Typical	Maximum	Unit
Viewing Angle	(V)θ	---	160	---	---	Deg
	(H)φ	---	160	---	---	Deg
Contrast Ratio	CR	Dark	2000:1	---	---	---
Response Time	T Rise	---	---	10	---	μs
	T Fall	---	---	10	---	μs
Display with 50% Checkboard Brightness			100	120	---	cd/m <sup>2</sup>
CIEx(Green)		(CIE1931)	0.24	0.28	0.32	---
CIEy(Green)		(CIE1931)	0.59	0.63	0.67	---

OLED Life Time			
Item	Conditions	Typical	Remark
Operating Life Time	Ta=25°C. Initial checkboard brightness, 50%.	100,000 Hours	---

MCOB11605AV-EGP	1 x 16	Euro/Jap/Cyrillic	OLED Module
<b>Specification</b>			
Version: 1		Date: 16/05/2017	
<b>Revision</b>			