

XS4P18PA370D

inductive sensor XS4 M18 - L70mm - PPS - Sn8mm - 12..48VDC - M12



Main

| | |
|------------------------------------|---|
| Range of product | OsiSense XS |
| Series name | General purpose |
| Sensor type | Inductive proximity sensor |
| Device application | - |
| Sensor name | XS4 |
| Sensor design | Cylindrical M18 |
| Size | 70 mm |
| Body type | Fixed |
| Detector flush mounting acceptance | Non flush mountable |
| Material | Plastic |
| Type of output signal | Discrete |
| Wiring technique | 3-wire |
| [Sn] nominal sensing distance | 8 mm |
| Discrete output function | 1 NO |
| Output circuit type | DC |
| Discrete output type | PNP |
| Electrical connection | M12 male connector, 4 pins |
| [Us] rated supply voltage | 12...48 V DC with reverse polarity protection |
| Switching capacity in mA | <= 200 mA DC with overload and short-circuit protection |
| IP degree of protection | IP67 conforming to IEC 60529 |

Complementary

| | |
|-----------------------|---------------------------------|
| Thread type | M18 x 1 |
| Detection face | Frontal |
| Front material | PPS |
| Enclosure material | PPS |
| Operating zone | 0...6.4 mm |
| Differential travel | 1...15% of Sr |
| Status LED | 1 LED (yellow) for output state |
| Supply voltage limits | 10...58 V DC |
| Switching frequency | <= 2000 Hz |
| Voltage drop | <= 2 V (closed) |
| Current consumption | 0...10 mA (no-load) |
| Delay first up | <= 10 ms |
| Delay response | <= 0.15 ms |
| Delay recovery | <= 0.35 ms |
| Marking | CE |
| Threaded length | 52 mm |
| Height | 18 mm |
| Length | 70 mm |
| Product weight | 0.04 kg 0.1 kg |

The information provided in this documentation contains general descriptions and/or technical characteristics of the performance of the products contained herein. This documentation is not intended as a substitute for and is not to be used for determining suitability or reliability of these products for specific user applications. It is the duty of any such user or integrator to perform the appropriate and complete risk analysis, evaluation and testing of the products with respect to the relevant specific application or use thereof. Neither Schneider Electric Industries SAS nor any of its affiliates or subsidiaries shall be responsible or liable for misuse of the information contained herein.

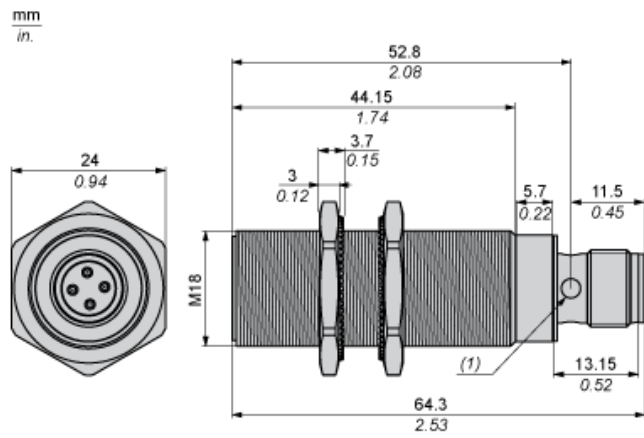
Environment

| | |
|---------------------------------------|---|
| Product certifications | CCC CSA UL |
| Ambient air temperature for operation | -25...70 °C |
| Ambient air temperature for storage | -40...85 °C |
| Vibration resistance | 25 gn, amplitude: +/- 2 mm (f = 10...55 Hz) conforming to IEC 60068-2-6 |
| Shock resistance | 50 gn (duration = 11 ms) conforming to IEC 60068-2-27 |

Offer Sustainability

| | |
|----------------------------------|---|
| Sustainable offer status | Green Premium product |
| RoHS (date code: YYWW) | Compliant - since 0838 - Schneider Electric declaration of conformity |
| REACH | Reference not containing SVHC above the threshold |
| Product environmental profile | Available Download Product Environmental |
| Product end of life instructions | Available Download End Of Life Manual |

Dimensions



Minimum Mounting Distances

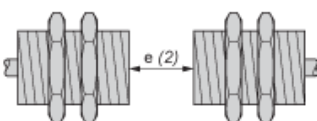
Side by side



$e (1) \geq 32 \text{ mm}/1.26 \text{ in.}$

\geq

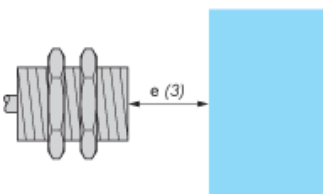
Face to face



$e (2) \geq 96 \text{ mm}/3.78 \text{ in.}$

\geq

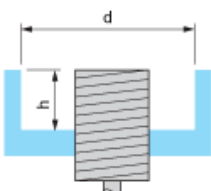
Facing a metal object



$e (3) \geq 24 \text{ mm}/0.94 \text{ in.}$

\geq

Mounted in a metal support



$d \geq 56 \text{ mm}/2.20 \text{ in.}$

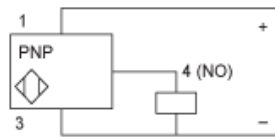
$h \geq 16 \text{ mm}/0.63 \text{ in.}$

Wiring Schemes

M12 connector

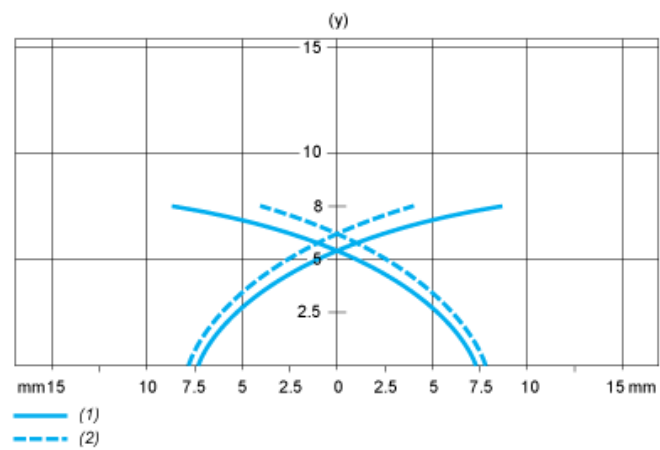


PNP



Performance Curves

Standard Steel Target : 24x24x1 mm



- (1) Pick-up points
- (2) Drop-out points (object approaching from the side)
- (y) Sensing distance in mm