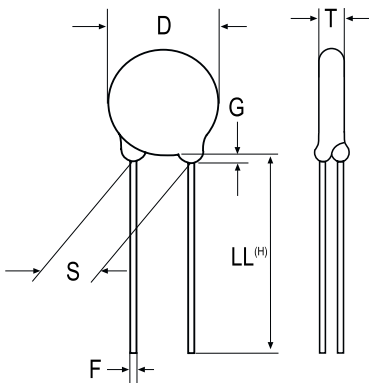


Ceramic, Safety, C900\_Y, 100 pF, 10%, Y5P, Lead Spacing = 10mm



| General Information |               |
|---------------------|---------------|
| Style:              | Radial Disc   |
| Series:             | C900_Y        |
| RoHS:               | Yes           |
| Termination:        | Tin           |
| Failure Rate:       | N/A           |
| Safety Class:       | X1/Y2         |
| Approvals:          | UL, ENEC, CSA |
| Halogen Free:       | Yes           |

| Dimensions |                 |
|------------|-----------------|
| D          | 7mm MAX         |
| T          | 5mm MAX         |
| S          | 10mm +/-1mm     |
| LL         | 20mm +1.5/-1mm  |
| F          | 0.55mm +/-0.1mm |
| G          | 3mm MAX         |

| Specifications                   |                          |
|----------------------------------|--------------------------|
| Capacitance:                     | 100 pF                   |
| Capacitance Tolerance:           | 10%                      |
| Voltage:                         | 400 VAC (X), 250 VAC (Y) |
| Dielectric Withstanding Voltage: | 2,600 V                  |
| Temperature Range:               | -40/+125C                |
| Temperature Coefficient:         | Y5P                      |
| Dissipation Factor:              | 2.5%                     |
| Insulation Resistance:           | 10 GOhms                 |

| Packaging Specifications |   |
|--------------------------|---|
| Packaging:               | Ammo, H0 = 20mm, Component Pitch = 15mm |
| Packaging Quantity:      | 1000                                    |

Statements of suitability for certain applications are based on our knowledge of typical operating conditions for such applications, but are not intended to constitute - and we specifically disclaim - any warranty concerning suitability for a specific customer application or use. This Information is intended for use only by customers who have the requisite experience and capability to determine the correct products for their application. Any technical advice inferred from this Information or otherwise provided by us with reference to the use of our products is given gratis, and we assume no obligation or liability for the advice given or results obtained.