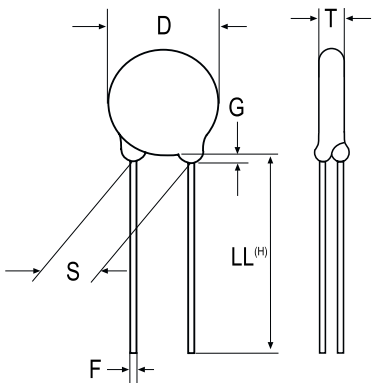


Ceramic, Safety, C900_U, 20 pF, 5%, SL, Lead Spacing = 10mm



General Information	
Style:	Radial Disc
Series:	C900_U
RoHS:	Yes
Termination:	Tin
Failure Rate:	N/A
Safety Class:	X1/Y1
Approvals:	UL, ENEC, CSA
Halogen Free:	Yes

Dimensions	
D	7mm MAX
T	5mm MAX
S	10mm +/-1mm
LL	20mm MIN
F	0.55mm +/-0.1mm
G	3mm MAX

Specifications	
Capacitance:	20 pF
Capacitance Tolerance:	5%
Voltage:	400 VAC (X), 250 VAC (Y)
Dielectric Withstanding Voltage:	4,000 V
Temperature Range:	-25/+125C
Temperature Coefficient:	SL
Insulation Resistance:	10 GOhms
Quality Factor:	800

Packaging Specifications	
Packaging:	Bulk
Packaging Quantity:	500