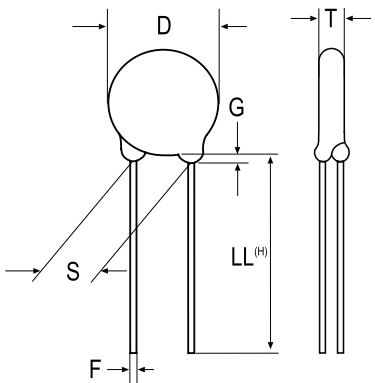


Ceramic, Safety, C900_Y, 2200 pF, 20%, Y5U, Lead Spacing = 7.5mm



| General Information | |
|---------------------|---------------|
| Style: | Radial Disc |
| Series: | C900_Y |
| RoHS: | Yes |
| Termination: | Tin |
| Failure Rate: | N/A |
| Safety Class: | X1/Y2 |
| Approvals: | UL, ENEC, CSA |
| Halogen Free: | Yes |

| Dimensions | |
|------------|-----------------|
| D | 9mm MAX |
| T | 5mm MAX |
| S | 7.5mm +/-1mm |
| LL | 20mm +1.5/-1mm |
| F | 0.55mm +/-0.1mm |
| G | 3mm MAX |

| Specifications | |
|----------------------------------|--------------------------|
| Capacitance: | 2200 pF |
| Capacitance Tolerance: | 20% |
| Voltage: | 400 VAC (X), 250 VAC (Y) |
| Dielectric Withstanding Voltage: | 2,600 V |
| Temperature Range: | -40/+125C |
| Temperature Coefficient: | Y5U |
| Dissipation Factor: | 2.5% |
| Insulation Resistance: | 10 GOhms |

| Packaging Specifications | |
|--------------------------|---|
| Packaging: | Ammo, H0 = 20mm, Component Pitch = 15mm |
| Packaging Quantity: | 1000 |