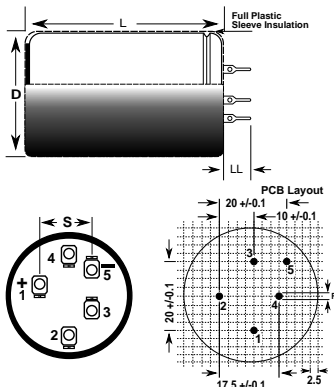


Aluminum Electrolytic, 85C, ALP22, 1000 uF, 20%, 385 V, -40/+85C



Dimensions	
D	40mm +/-1mm
L	105mm +/-2mm
S	20mm +/-0.1mm
LL	7.5mm +/-0.5mm
F	1.3mm

Packaging Specifications	
Weight:	170 g
Sleeving:	Yes
Packaging:	Bulk

General Information	
Dielectric:	Aluminum Electrolytic
Series:	ALP22
Description:	Solder Pin, Aluminum Electrolytic
Features:	Solder Pin
RoHS:	Yes
Lead:	5 Pin Solder
Notes:	Dimensions D And L Include Sleeving

Specifications	
Capacitance:	1000 uF
Capacitance Tolerance:	20%
Voltage DC:	385 VDC, 423.5 VDC (Surge)
Temperature Range:	-40/+85C
Rated Temperature:	85C
Life:	26000 Hrs
Leakage Current:	2310 uAmps (5min 20C)