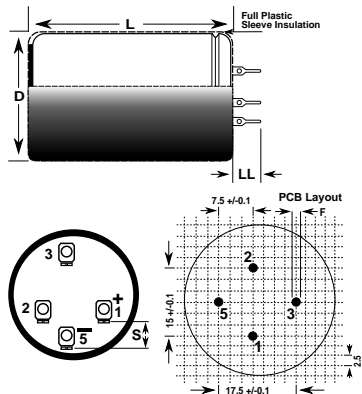


Aluminum Electrolytic, 85C, ALP22, 0.01 F, 20%, 40 V, -40/+85C



Dimensions

D	35mm +/-1mm
L	45mm +/-2mm
S	7.5mm +/-0.1mm
LL	7.5mm +/-0.5mm
F	1.3mm

Packaging Specifications

Weight:	65 g
Sleeving:	Yes
Packaging:	Bulk

General Information

Dielectric:	Aluminum Electrolytic
Series:	ALP22
Description:	Solder Pin, Aluminum Electrolytic
Features:	Solder Pin
RoHS:	Yes
Lead:	4 Pin Solder
Notes:	Dimensions D And L Include Sleeving

Specifications

Capacitance:	0.01 F
Capacitance Tolerance:	20%
Voltage DC:	40 VDC, 46 VDC (Surge)
Temperature Range:	-40/+85C
Rated Temperature:	85C
Life:	18000 Hrs
Leakage Current:	2400 uAmps (5min 20C)