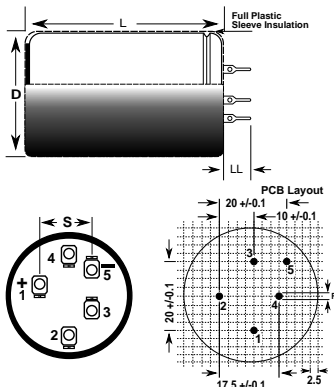


Aluminum Electrolytic, 85C, ALP22, 0.022 F, 20%, 40 V, -40/+85C



| Dimensions | |
|------------|----------------|
| D | 40mm +/-1mm |
| L | 55mm +/-2mm |
| S | 20mm +/-0.1mm |
| LL | 7.5mm +/-0.5mm |
| F | 1.3mm |

| Packaging Specifications | |
|--------------------------|------|
| Weight: | 95 g |
| Sleeving: | Yes |
| Packaging: | Bulk |

| General Information | |
|---------------------|-------------------------------------|
| Dielectric: | Aluminum Electrolytic |
| Series: | ALP22 |
| Description: | Solder Pin, Aluminum Electrolytic |
| Features: | Solder Pin |
| RoHS: | Yes |
| Lead: | 5 Pin Solder |
| Notes: | Dimensions D And L Include Sleeving |

| Specifications | |
|------------------------|------------------------|
| Capacitance: | 0.022 F |
| Capacitance Tolerance: | 20% |
| Voltage DC: | 40 VDC, 46 VDC (Surge) |
| Temperature Range: | -40/+85C |
| Rated Temperature: | 85C |
| Life: | 26000 Hrs |
| Leakage Current: | 5280 uAmps (5min 20C) |