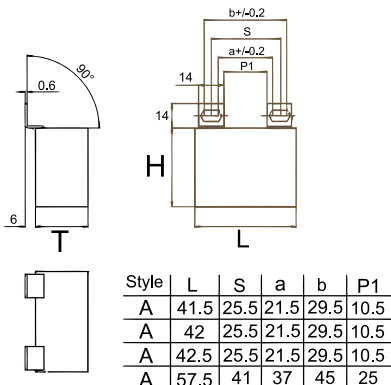


Film, Metallized Polypropylene, Power, C4BS, 1 uF, 5%, 1,000 V, 70C, Lead Spacing = 25mm



Dimensions	
L	41.5mm NOM
H	40mm NOM
T	20mm NOM
S	25mm +/-0.2mm

Packaging Specifications	
Packaging:	Bulk
Packaging Quantity:	52

General Information	
Dielectric:	Metallized Polypropylene
Style:	Radial
Series:	C4BS
Features:	IGBT Circuit
RoHS:	Yes
Lead:	Flat Tabs
Miscellaneous:	Kemet Style A Tabs

Specifications	
Capacitance:	1 uF
Capacitance Tolerance:	5%
Voltage DC:	1000 VDC
Voltage AC:	600 VAC
Temperature Range:	-40/+85C
Rated Temperature:	70C
Max dVdt:	827 V
Resistance:	3.7 mOhms (100kHz)
Current:	23 Amps (100kHz 70C), 827 Amps (Peak)
Inductance:	41 nH