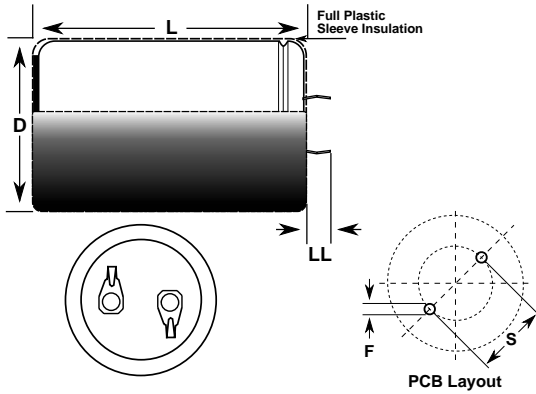


Aluminum Electrolytic, 105C, ELG, 6800 uF, 20%, 50 V, -40/+105C



Dimensions

| | |
|-----------|---------------|
| D | 25mm +/-1mm |
| L | 50mm +/-2mm |
| S | 10mm +/-0.5mm |
| LL | 4mm +/-0.2mm |
| F | 2mm +/-0.1mm |

Packaging Specifications

| | |
|-------------------|------|
| Packaging: | Bulk |
|-------------------|------|

General Information

| | |
|---------------------|--------------------------------|
| Dielectric: | Aluminum Electrolytic |
| Series: | ELG |
| Description: | Snap-In, Aluminum Electrolytic |
| RoHS: | Yes |
| Lead: | 2 Pin |

Specifications

| | |
|-------------------------------|------------------------|
| Capacitance: | 6800 uF |
| Capacitance Tolerance: | 20% |
| Voltage DC: | 50 VDC, 63 VDC (Surge) |
| Temperature Range: | -40/+105C |
| Rated Temperature: | 105C |
| Life: | 2000 Hrs |
| Dissipation Factor: | 30% 120Hz 20C |
| Current: | 3300 mAmps (120Hz) |
| Leakage Current: | 3000 uAmps (5min 20C) |