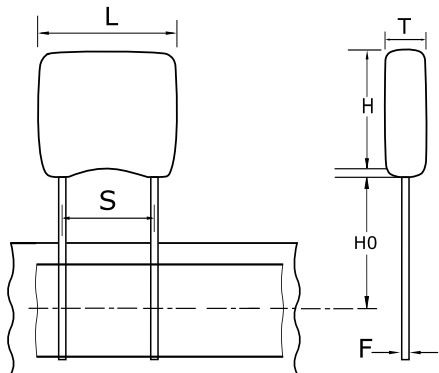


Ceramic, GoldMax, 0.1 uF, 5%, 200 V, X8R, GoldMax, Automotive Grade, Lead Spacing = 5.08mm



General Information	
Style:	Radial
Series:	GoldMax
Description:	GoldMax, Automotive Grade
Features:	Automotive Grade
RoHS:	Yes
Termination:	Tin
Failure Rate:	N/A
Approvals:	AEC-Q200
AEC-Q200:	Yes
Halogen Free:	Yes

Dimensions	
L	7.11mm MAX
H	9.14mm MAX
T	4.07mm MAX
S	5.08mm +/-0.78mm
H0	16mm +/-0.5mm
F	0.51mm +0.1/-0.025mm

Specifications	
Capacitance:	0.1 uF
Capacitance Tolerance:	5%
Voltage DC:	200 VDC
Dielectric Withstanding Voltage:	500 V
Temperature Range:	-55/+150C
Temperature Coefficient:	X8R
Dissipation Factor:	2.5% 25C
Aging Rate:	0% Loss/Decade Hour
Insulation Resistance:	10 GOhms

Packaging Specifications	
Packaging:	T&R, 305mm
Packaging Quantity:	1500