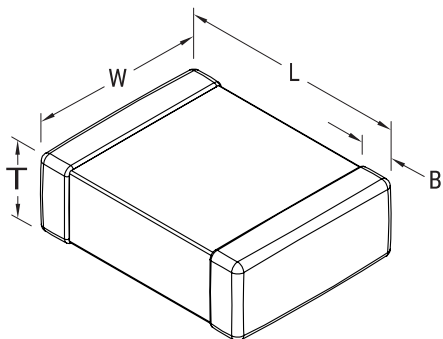


**KEMET Part Number: LDECG4470KA0N00**  
(DECG4470KA0N00)

Film, Metallized PEN Stacked, Commercial Grade, LDE, 4.7 uF, 10%, 50 V, 40 V, 125C, 5040, 4.1mm



Dimensions	
Chip Size	5040
L	13mm +/-0.4mm
W	10.4mm +/-0.5mm
T	4.1mm MAX
B	0.5mm +0.5/-0.3mm

Packaging Specifications	
Packaging:	T&R
Packaging Quantity:	1250

General Information	
Dielectric:	Metallized PEN Stacked
Style:	SMD Chip
Series:	LDE
RoHS:	Yes
Approvals:	AEC-Q200
AEC-Q200:	Yes

Specifications	
Capacitance:	4.7 uF
Capacitance Tolerance:	10%
Voltage DC:	50 VDC
Voltage AC:	40 V
Temperature Range:	-55/+125C
Rated Temperature:	125C
Dissipation Factor:	0.8% 1kHz
Insulation Resistance:	85.1 MOhms
Max dVdt:	100 V