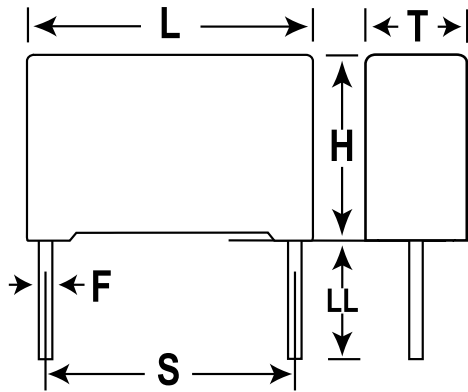


Film, Metallized Polypropylene, Safety, R46_125C, 0.47 uF, 20%, 560 V, 275 V, 125C, Lead Spacing = 22.5mm



Dimensions

L	26.5mm +0.3mm
H	18.5mm +0.1mm
T	10mm +0.2mm
S	22.5mm +/-0.4mm
LL	30mm +5mm
F	0.8mm +/-0.05mm

Packaging Specifications

Packaging:	Bulk
Packaging Quantity:	300

General Information

Dielectric:	Metallized Polypropylene
Style:	Radial
Series:	R46_125C
Features:	Pulse
RoHS:	Yes
Lead:	Wire Leads
Approvals:	ENEC, UL, cUL, CQC

Specifications

Capacitance:	0.47 uF
Capacitance Tolerance:	20%
Voltage DC:	560 VDC
Voltage AC:	275 VAC
Temperature Range:	-40/+125C
Rated Temperature:	125C
Dissipation Factor:	0.1% 1kHz
Insulation Resistance:	63.8298 GOhms
Max dVdt:	200 V
Safety Class:	X2