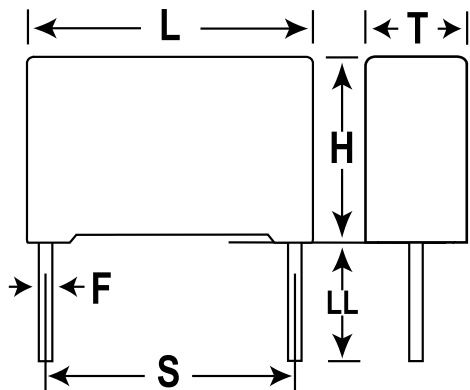


Film, Metallized Polyester Stacked, Commercial Grade, R60, 0.047 uF, 10%, 400 V, 85C, Lead Spacing = 10mm



Dimensions	
L	13mm +0.2mm
H	9mm +1mm
T	4mm +0.2mm
S	10mm +/-0.4mm
LL	25mm +2/-1mm
F	0.6mm +/-0.05mm

Packaging Specifications	
Packaging:	Bulk
Packaging Quantity:	1800

General Information	
Dielectric:	Metallized Polyester Stacked
Style:	Radial
Series:	R60
Features:	Pulse
RoHS:	Yes
Lead:	Wire Leads
Approvals:	AEC-Q200
AEC-Q200:	Yes
Miscellaneous:	Upper Operating Temperature Of 125C Is Allowed For A Maximum Operating Time Of 1,000 Hours. Above 85C, DC And AC Voltage Derating Is 1.25%/C.

Specifications	
Capacitance:	0.047 uF
Capacitance Tolerance:	10%
Voltage DC:	400 VDC
Voltage AC:	200 VAC
Temperature Range:	-55/+105C
Rated Temperature:	85C
Dissipation Factor:	1% 1kHz, 1.5% 10kHz
Insulation Resistance:	30 GOhms
Max dVdt:	175 V
Inductance:	9 nH