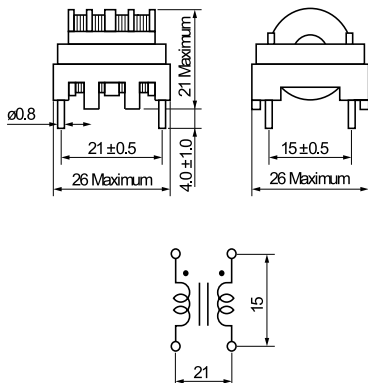


KEMET Part Number: SS24H-R10170-CH
(UAL24HR10170CH)

Commercial Grade, SS24V/H-CH, 0.017 H



Dimensions	
L	26mm MAX
T	26mm MAX
H	21mm MAX
S	15mm +/-0.5mm
S1	21mm +/-0.5mm
LL	4mm +/-1mm
F	0.8mm NOM

Packaging Specifications	
Weight:	16.9 g

General Information	
Style:	Through-Hole Choke
Series:	SS24V/H-CH
Description:	Common Mode Filter
RoHS:	Yes
Miscellaneous:	Inductance Measurement Condition: 1kHz 1V KC530

Specifications	
Inductance:	17000 uH
Rated Temperature:	120C
Current:	1 Amps
Voltage AC:	250 VAC
DC Resistance:	550 mOhms
Insulation Resistance:	100 MOhms