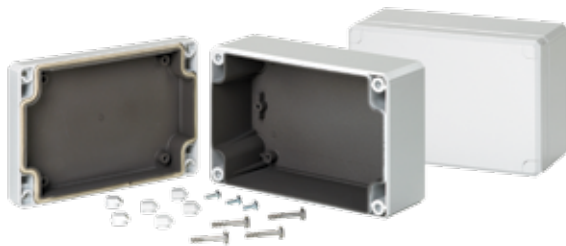


QLINE D, EMC, TYPE 4X



APPLICATION

QLINE D polycarbonate EMC enclosures have contoured bodies and flush cover screws for an attractive, contemporary appearance while also providing EMC protection in corrosive environments.

SPECIFICATIONS

- Body is impact-resistant polycarbonate
- EMC conductive coating in base and cover
- Gasket of silver/silicone
- Mounting holes molded directly under cover screws
- Cross-point captivated cover screws are stainless steel
- Mounting tracks along body side walls and bosses on cover for PC card installation
- Cover screws protected by removable caps that are both aesthetic and provide tamper resistance
- Molded internal pads for mounting optional panels, rails and other components
- Screws provided for mounting optional panel

INDUSTRY STANDARDS

UL 508A Listed; Type 4, 4X, 12, 13
 cUL Listed per CSA C22.2 No 94; Type 4, 4X, 12, 13; File No. E61997
 Enclosure flammability evaluated per UL 508A

NEMA/EEMAC Type 4, 4X, 12, 13
 IEC 60529, IP66

FINISH

Enclosure material is RAL 7035 light-gray outside. Optional panels are conductive steel.

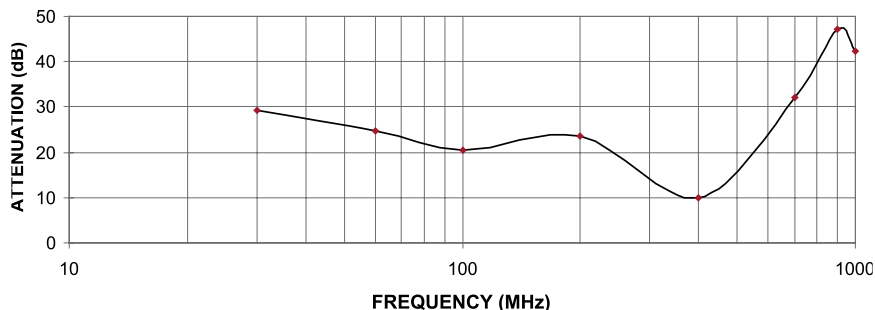
BULLETIN: Q41EM

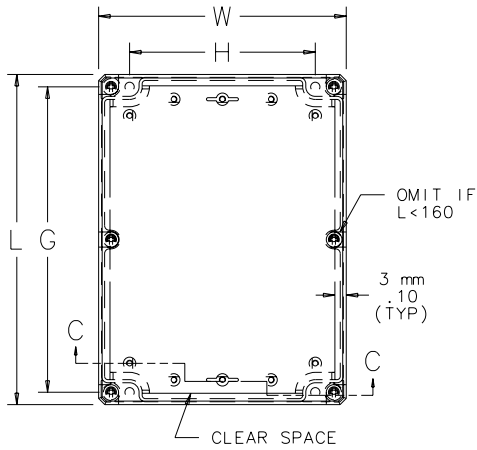
Standard Product

Catalog Number	AxBxC mm/in.	External Dimensions L x W mm/in.	Internal Dimensions A x B x C mm/in.	Panel	Panel Size D x E mm/in.	Mounting G x H mm/in.	F mm/in.	J mm/in.	K mm/in.	P mm/in.	Q mm/in.	R mm/in.	S mm/in.	U mm/in.
Q1286PCEMC	120 x 80 x 55	120 x 80	114 x 74 x 49	Q128PD	91 x 65	108 x 50	42	40	15	58	82	—	96	3
	4.72 x 3.15 x 2.17	4.72 x 3.15	4.47 x 2.89 x 1.93		3.58 x 2.56	4.25 x 1.97	1.65	1.57	0.59	2.28	3.21	—	3.78	0.12
Q1289PCEMC	120 x 80 x 85	120 x 80	113 x 73 x 79	Q128PD	91 x 65	108 x 50	72	70	15	58	82	—	96	3
	4.72 x 3.15 x 3.35	4.72 x 3.15	4.45 x 2.87 x 3.11		3.58 x 2.56	4.25 x 1.97	2.83	2.76	0.59	2.28	3.21	—	3.78	0.12
Q16129PCEMC	160 x 120 x 90	160 x 120	153 x 113 x 84	Q1612PD	130 x 100	148 x 90	77.5	60	30	90	120	—	136	3
	6.30 x 4.72 x 3.54	6.30 x 4.72	6.02 x 4.45 x 3.29		5.12 x 3.94	5.83 x 3.54	3.05	2.36	1.18	3.54	4.72	—	5.35	0.12
Q1689PCEMC	160 x 80 x 85	160 x 80	153 x 73 x 79	Q168PD	131 x 65	148 x 50	72	70	15	58	122	—	136	3
	6.30 x 3.15 x 3.35	6.30 x 3.15	6.02 x 2.87 x 3.11		5.16 x 2.56	5.83 x 1.97	2.83	2.76	0.59	2.28	4.78	—	5.35	0.12
Q20129PCEMC	200 x 120 x 85	200 x 120	193 x 113 x 79	Q2012PD	170 x 100	188 x 90	72	70	15	90	160	40	176	3
	7.87 x 4.72 x 3.35	7.87 x 4.72	7.60 x 4.45 x 3.11		6.69 x 3.94	7.40 x 3.54	2.83	2.76	0.59	3.54	6.30	1.57	6.93	0.12
Q24169PCEMC	240 x 160 x 90	240 x 160	233 x 153 x 84	Q2416PD	211 x 148	228 x 130	77.5	75	15	138	202	75	215	3.5
	9.45 x 6.30 x 3.54	9.45 x 6.30	9.17 x 6.02 x 3.29		8.31 x 5.83	8.98 x 5.12	3.05	2.95	0.59	5.43	7.93	2.95	8.46	0.14

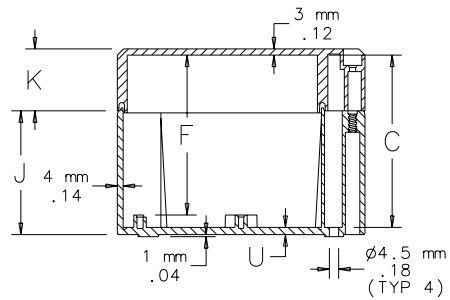
Purchase panels separately.

Q1286PCEMC QLINE D Enclosure Shielding Effectiveness

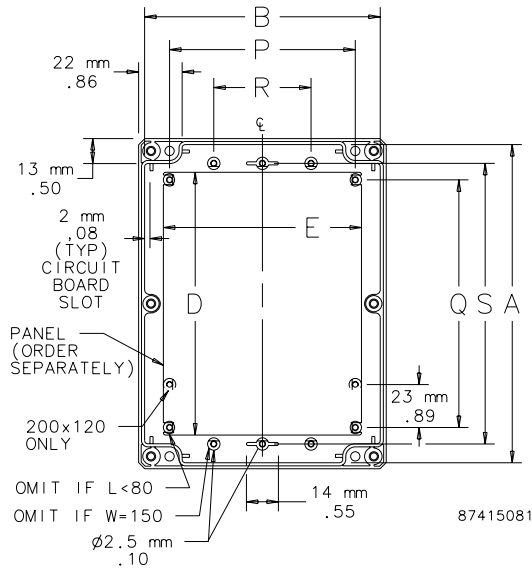




TOP VIEW



SECTION C-C



TOP VIEW WITH COVER REMOVED